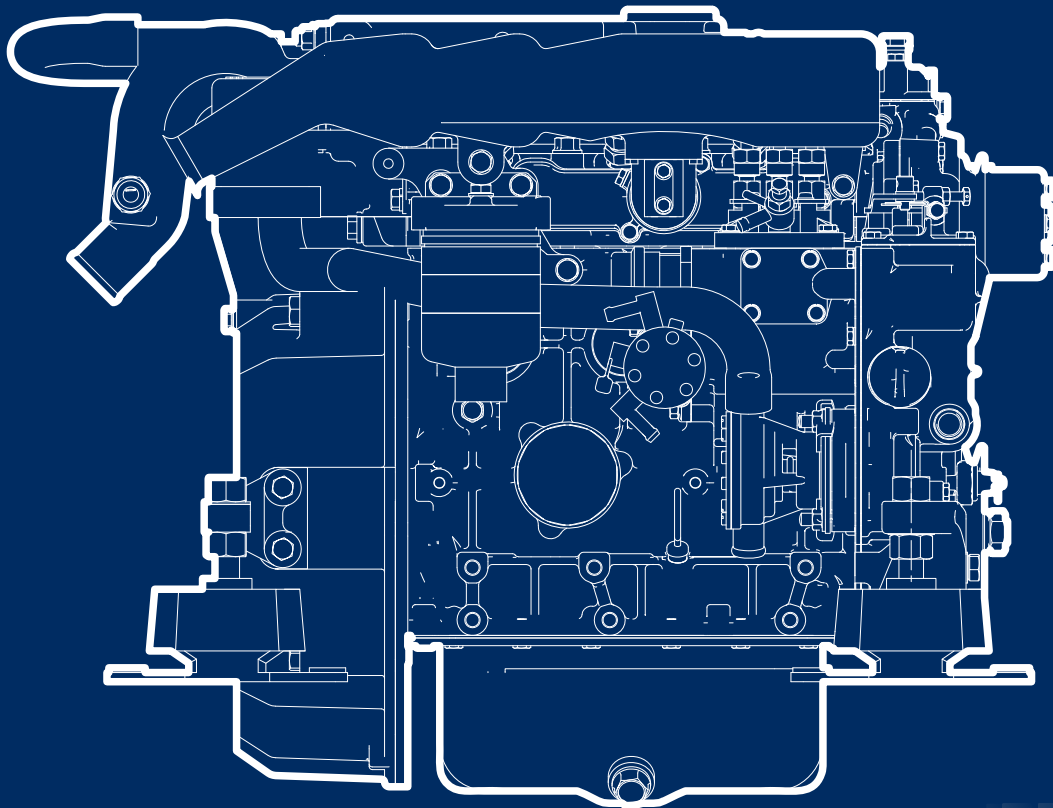




Craftsman
MARINE



SPARE PARTS

CATALOGUE

CM 3.27

CRAFTED WITH CRAFTSMAN MARINE

PROPULSION

Disclaimer

The specifications and the descriptions in this spareparts book were correct at the time of going to press. However, Craftsman Marine is continuously striving after the improvement of its products and therefore reserves the right to modify – at all times and without prior notification - product specifications and instruction manuals.

1.0 MARINISATION PARTS

1.1 SPARES SET	PAGE 4
1.2 AIR INTAKE	PAGE 6
1.3 FUEL FILTER	PAGE 8
1.4 ENGINE SUPPORT	PAGE 10
1.5 HEAT EXCHANGE	PAGE 12
1.6 KEELCOOLER MANIFOLD	PAGE 14
1.7 HOSES	PAGE 16
1.8 RAW WATER PUMP	PAGE 18
1.9 FLYWHEEL HOUSING	PAGE 20

2.0 MITSUBISHI PARTS

2.1 CRANKCASE	PAGE 22
2.2 TIMING GEAR & CASE	PAGE 24
2.3 OIL SUMP	PAGE 26
2.4 CYLINDER HEAD	PAGE 28
2.5 CRANKCASE & FLYWHEEL	PAGE 30
2.6 CAMSHAFT & VALVE DRIVE	PAGE 32
2.7 GASKET KIT	PAGE 34
2.8 CIRCULATION PUMP	PAGE 36
2.9 FUEL SYSEM	PAGE 38
2.10 NOZZLE HOLDER	PAGE 40
2.11 FUEL PUMP	PAGE 42
2.12 REGULATOR	PAGE 44

3.0 ELECTRONICS

3.1 ALTERNATOR & STARTER	PAGE 46
3.2 TERMINAL BOX	PAGE 46
3.3 SENSORS	PAGE 50
3.4 INSTRUMENT PANEL	PAGE 52

1.1 SPARES SET

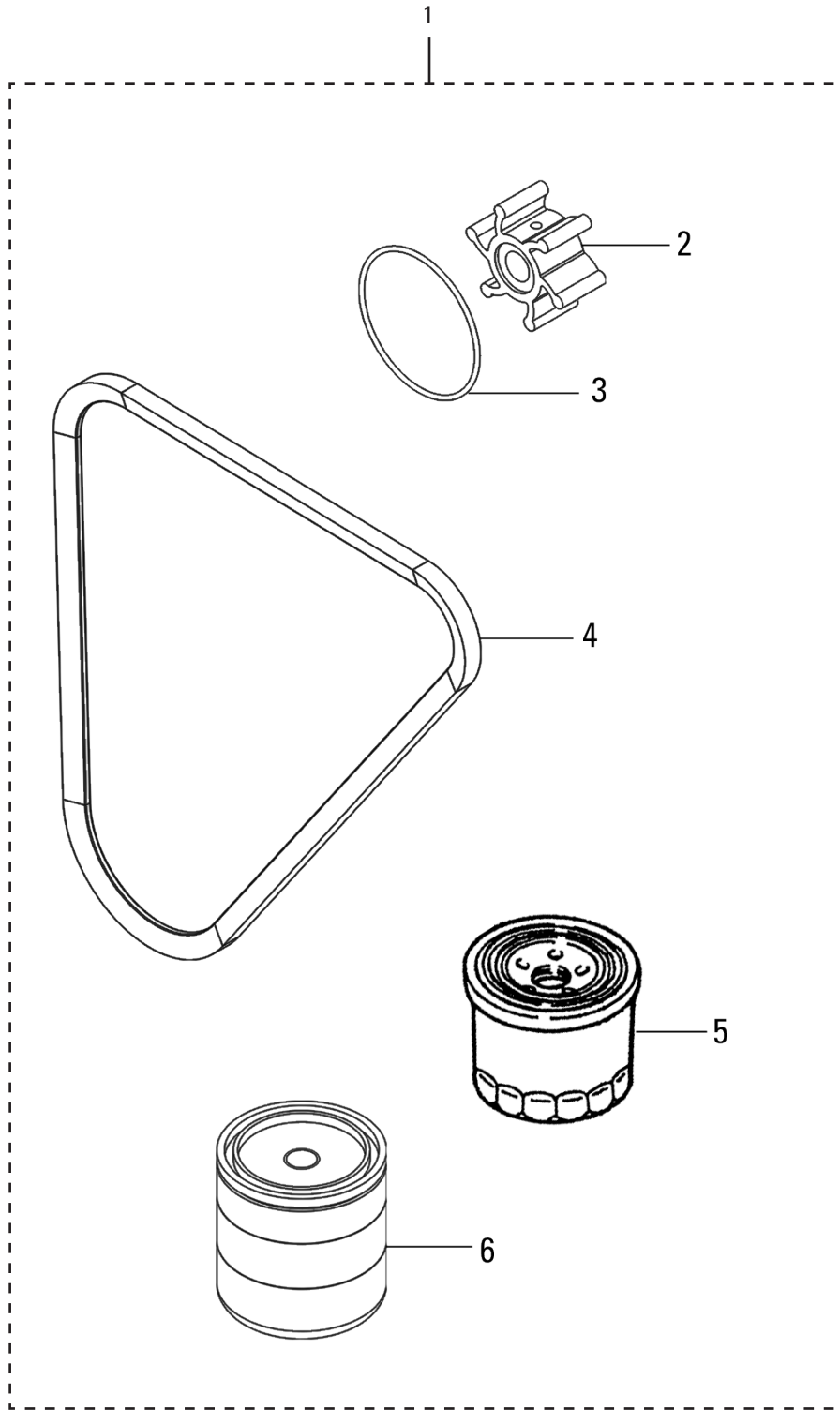
Pos.	Qty	Part	Description	Comment
1	1	AA.200.90054	SERVICE SET COMPLETE	
2	1	AA.200.90021	IMPELLER	
3	1	AA.200.90030	O-RING	
4	1	AA.300.91202	V-BELT	
5	1	AA.010.90001	OILFILTER	
6	1	AA.200.90017	FUEL FILTER	

MARINISATION PARTS

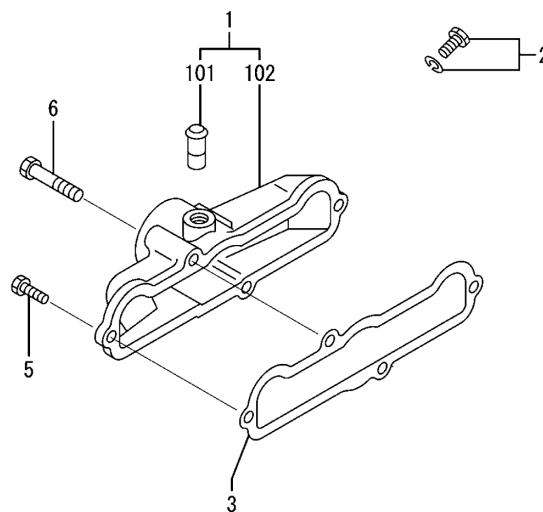
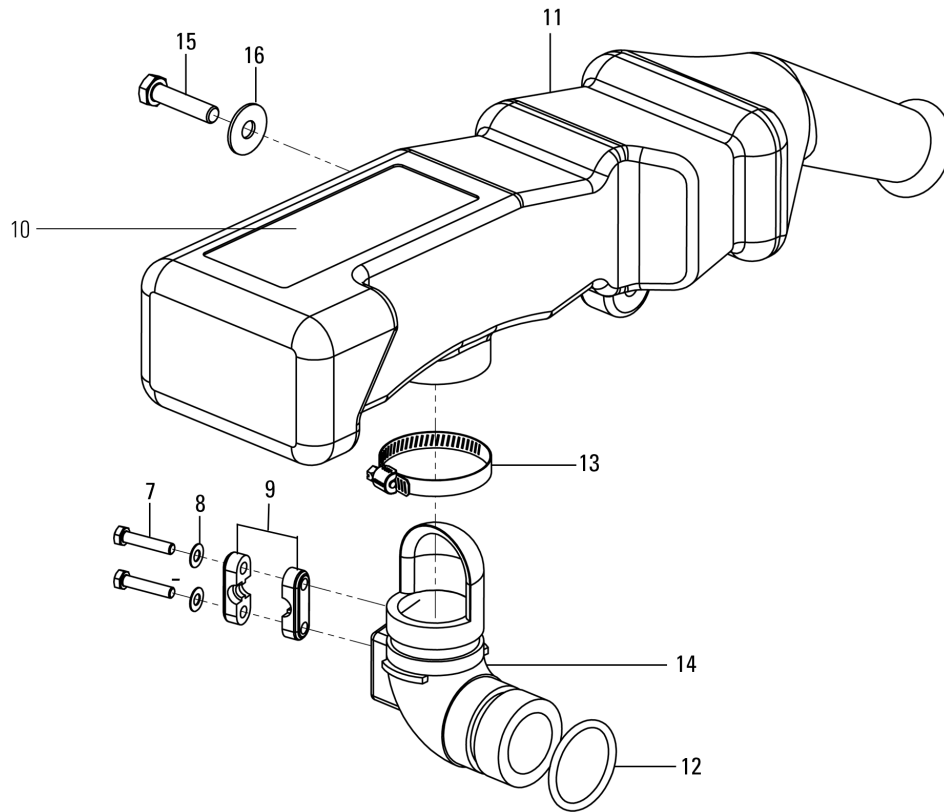
MITSUBISHI PARTS

ELECTRONICS

1.1 SPARES SET



1.2 AIR INTAKE



1.3 FUEL FILTER

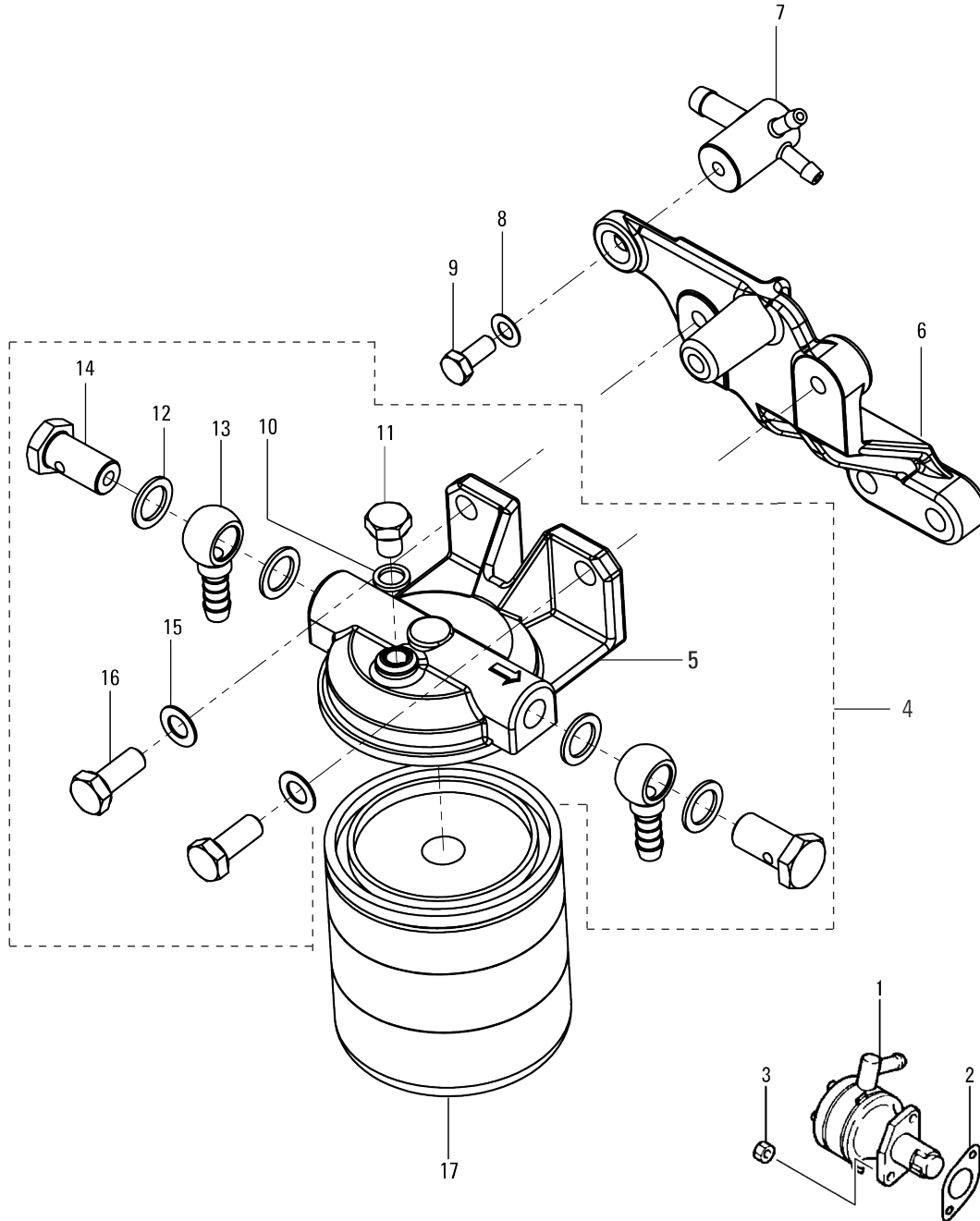
MARINISATION PARTS

mitsubishi parts

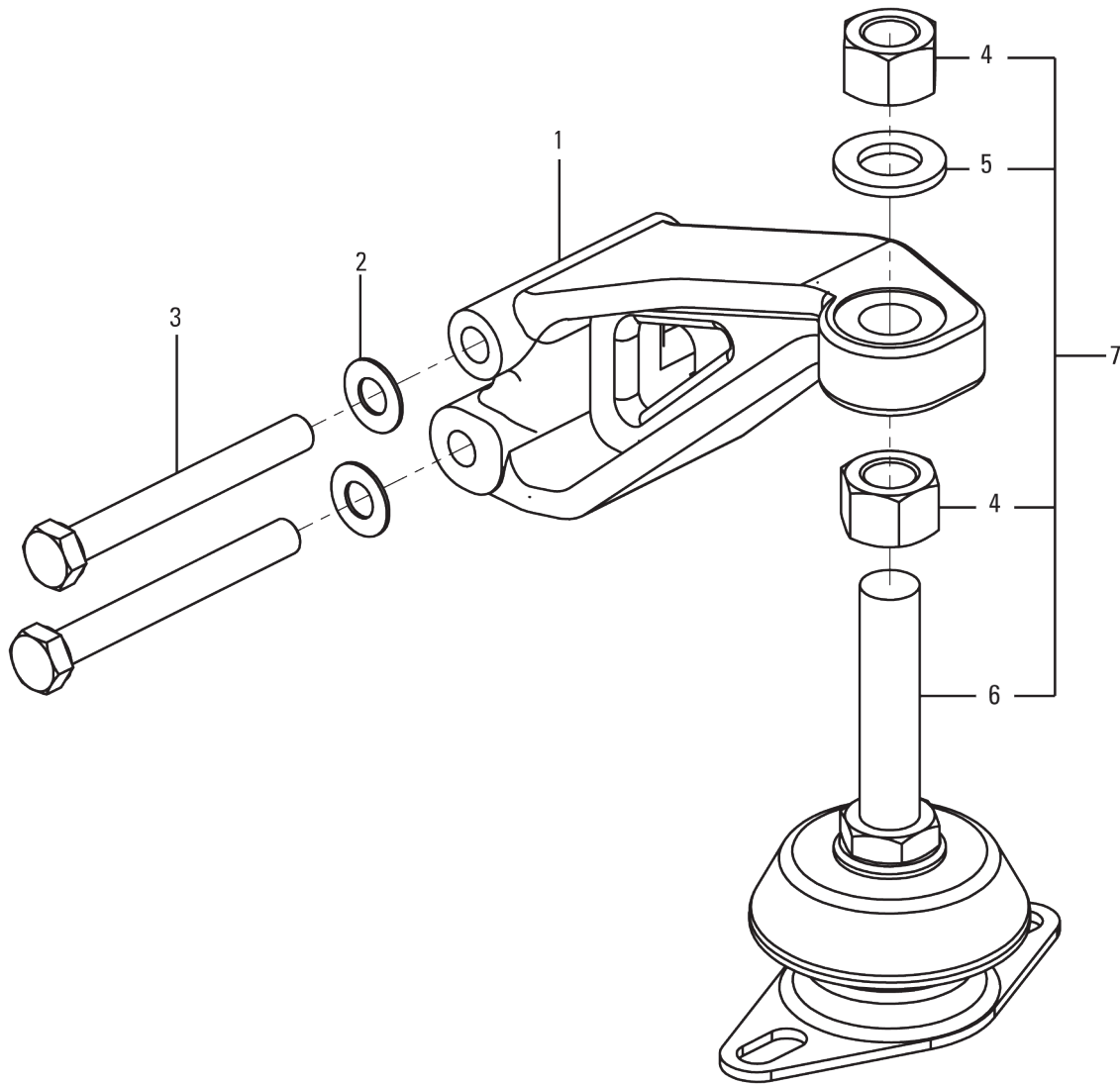
ELECTRONICS

Pos.	Qty	Part	Description	Comment
1	1	AA.200.90024	PUMP ASSY, FUEL	
2	1	AA.300.91006	GASKET	
3	2	AA.300.91007	NUT	
4	1	AH.010.60007	BASE FUEL FILTER COMPLETE	
5	1	*	BASE FUEL FILTER	
6	1	AA.200.90052	SUPPORT	
7	1	AA.200.90053	NIPPLE	
8	1	AA.300.90069	WASHER M6	
9	1	AA.300.90070	BOLT M6x20	
10	1	AA.300.90068	WASHER M8	
11	1	AA.300.90072	BOLT M8x10	
12	4	AA.300.90073	SEAL WASHER M12	
13	2	AA.300.90074	BANJO EYE	
14	2	AA.300.90075	BANJO BOLT M12x1	
15	2	AA.300.90076	WASHER M10	
16	2	AA.300.90077	BOLT M10x30	
17	1	AA.200.90017	FUELFILTER	
18	*	AA.300.90078	FUEL HOSE 8MM	NOT SHOWN
19	6	AA.300.90079	HOSE CLAMP 11X16	NOT SHOWN

1.3 FUEL FILTER



1.4 ENGINE SUPPORT



1.5 HEAT EXCHANGE

Pos.	Qty	Part	Description	Comment
1	1	AA.300.90005	HEATEXCHANGER HOUSING ASSY	
2	1	AA.200.90008	FILLER CAP 0.5BAR	
3	2	AA.300.90084	O-RING 66X3	
4	1	AA.200.90007	COVER	
5	1	AA.300.90051	TUBE STACK	
6	1	AA.200.90006	COVER	
7	2	AA.300.90085	BOLT M8X35	
8	1	AA.300.90052	HEATEXCHANGER HOUSING	
9	1	AA.300.90086	SEAL WASHER M14	
10		AA.300.90053	PLUG M14X1.5	
11	9	AA.300.90068	WASHER M8	
12	6	AA.300.90088	BOLT M8X115	
13	1	AA.300.90054	EXHAUST GASKET	
14	3	AA.300.90089	STUD M8X35	
15	1	AA.250.90029	EXHAUST ELBOW	
16	1	AA.010.90004	THERMOSWITCH 75°C M18x1,5 RAW WATER	
17	1	AA.300.90090	NUT M8	
18	1	AA.300.90054	GASKET	
19	1	AA.300.90057	THERMOSTAAT 76°C	
20	1	AA.200.90028	THERMOSTAT HOUSING	
21	1	AA.300.90069	WASHER M6	
22	1	AA.300.90092	SEAL WASHER M10	
23	2	AA.300.90093	BOLT M6X35	
24	1	AA.300.90094	BOLT M10X1.5X12	
25	1	AA.300.90095	O-RING	
26	1	AA.300.90069	WASHER M6	
27	2	AA.300.90097	SEAL WASHER M8	
28	1	AA.300.90098	SEAL WASHER M18	
29	1	AA.300.90099	MODEL PLATE	
30	1	AA.300.90100	FILLER NECK	
31	1	AA.300.90101	EXHAUST ELBOW GASKET	
32	*	AA.300.90102	HOSE	NOT SHOWN

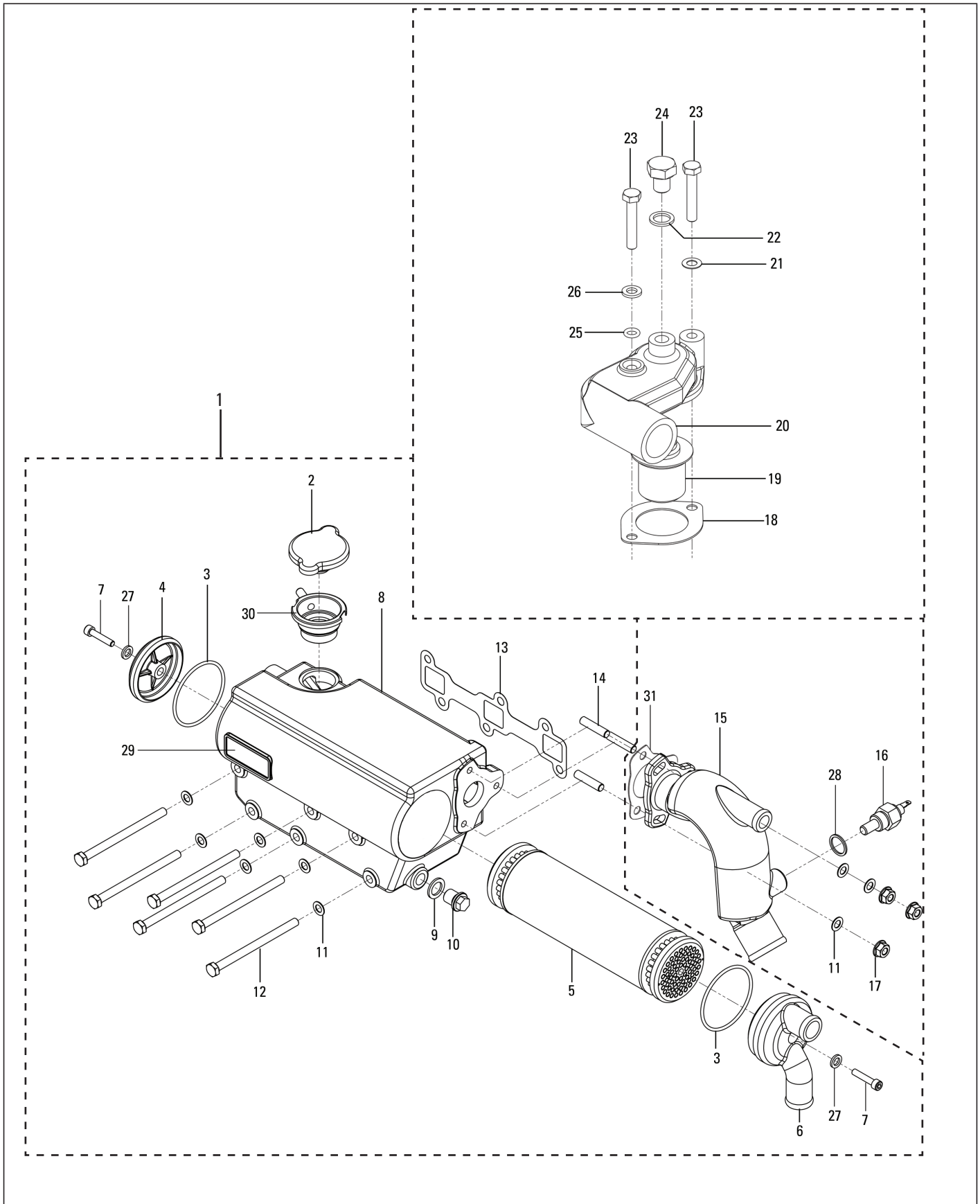
MARINISATION PARTS
MITSUBISHI PARTS
ELECTRONICS

SPARE PARTS

CM3.27

Craftsman
MARINE

1.5 HEAT EXCHANGE

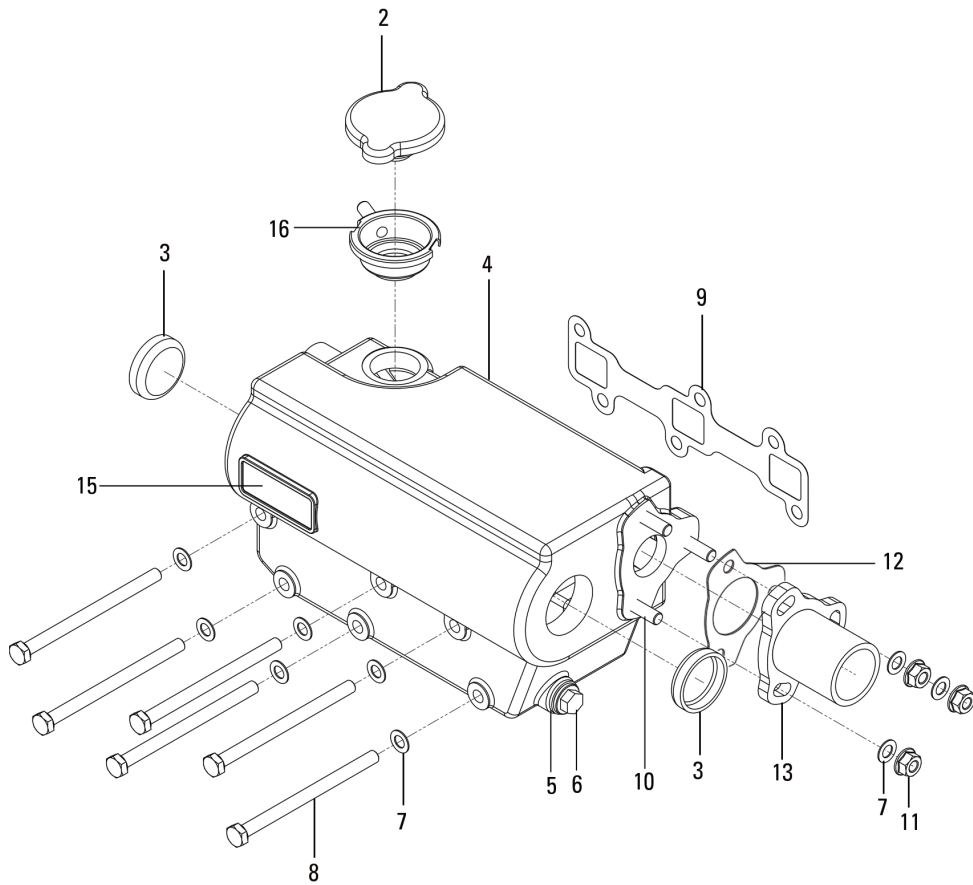


MARINISATION PARTS

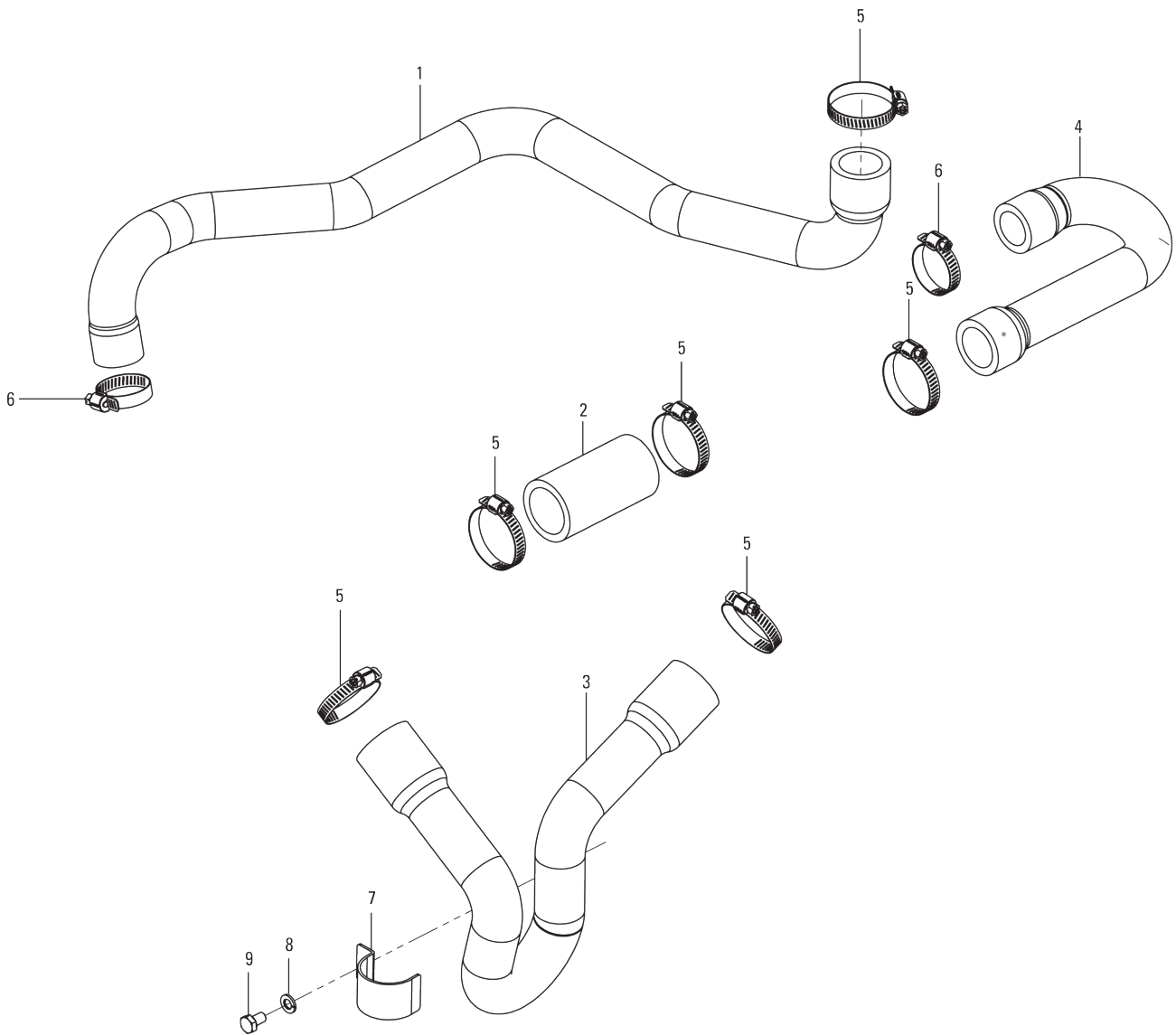
MITSUBISHI PARTS

ELECTRONICS

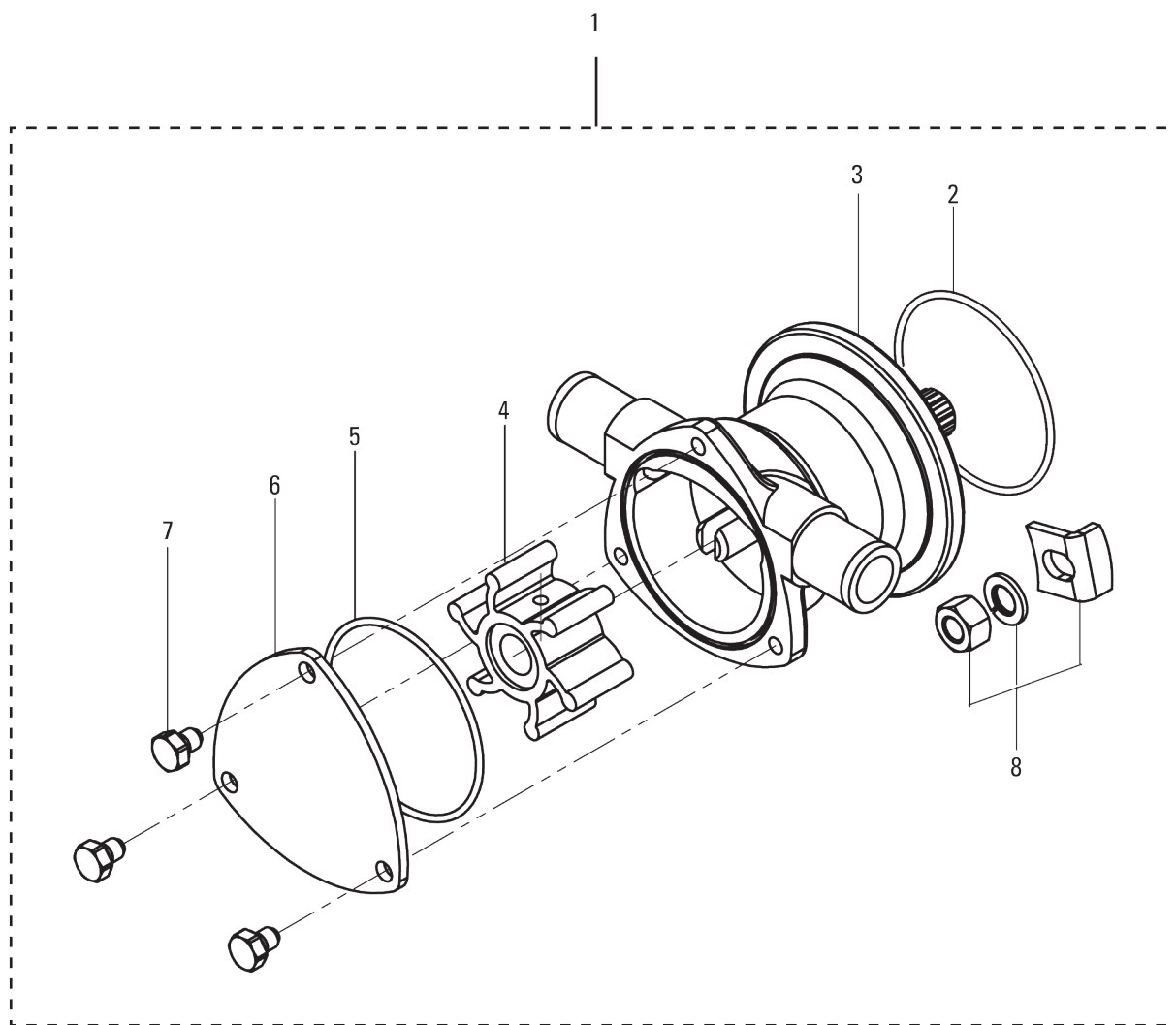
1.6 KEELCOOLER MANIFOLD



1.7 HOSES



1.8 RAW WATER PUMP



SPARE PARTS

CM3.27



1.9 FLYWHEEL HOUSING

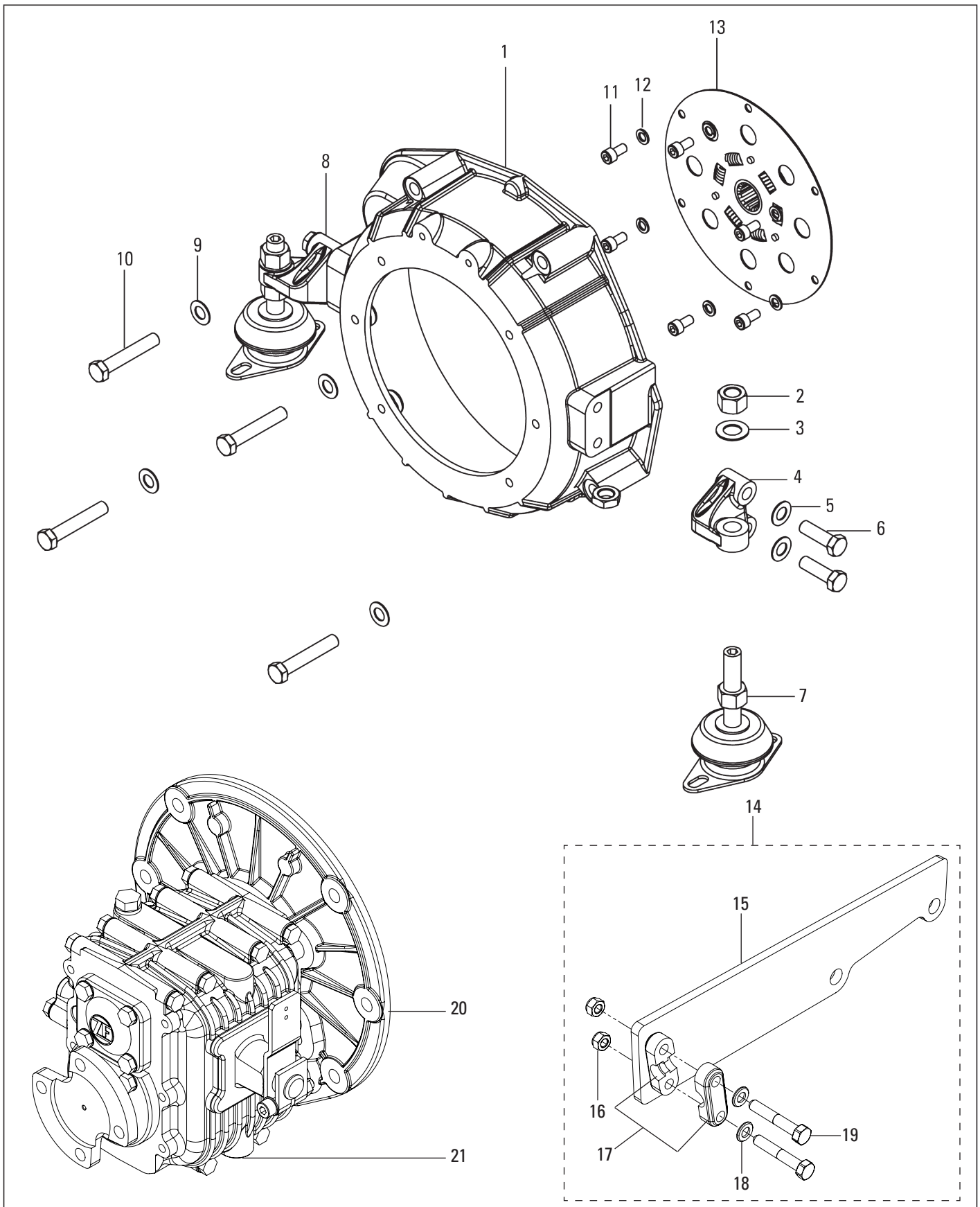
Pos.	Qty	Part	Description	Comment
1	1	AA.300.90062	FLYWHEEL HOUSING	
2	4	AA.300.90082	NUT M16x1.5	
3	2	AA.300.90083	WASHER M16	
4	1	AA.200.90002	ENGINE SUPPORT REAR R/L	
5	4	AA.300.90127	WASHER M12	
6	4	AA.300.90128	BOLT M12X50	
7	2	AA.300.00018	FLEXIBLE ENGINE MOUNTING	
8	1	AA.200.90002	ENGINE SUPPORT REAR R/L	
9	4	AA.300.90127	WASHER M12	
10	4	AA.300.90130	BOLT M12X1.25X70	
11	6	AA.300.90131	HEX SOCKET BOLT M8X16	
12	6	AA.300.90068	WASHER M8	
13	1	AA.300.00030	DAMPERPLATE	
14	1	AA.300.90133	GEAR LEVER ASSY	
15	1	AA.300.90134	GEAR LEVER	
16	2	AA.300.90135	LOCKING NUT M5	
17	1	AA.200.90050	CABLE CLAMP	
18	2	AA.300.90063	WASHER M5	
19	2	AA.300.90062	BOLT M5X25	
20	1	AA.300.90138	FLANGE GEARBOX	
21	1	AA.300.90139	ZF10M GEARBOX 2,05:1	
	1	AA.300.90140	ZF10M GEARBOX 2,72:1	

MARINISATION PARTS

MITSUBISHI PARTS

ELECTRONICS

1.9 FLYWHEEL HOUSING



MARINISATION PARTS

MITSUBISHI PARTS

ELECTRONICS

2.1 CRANKCASE

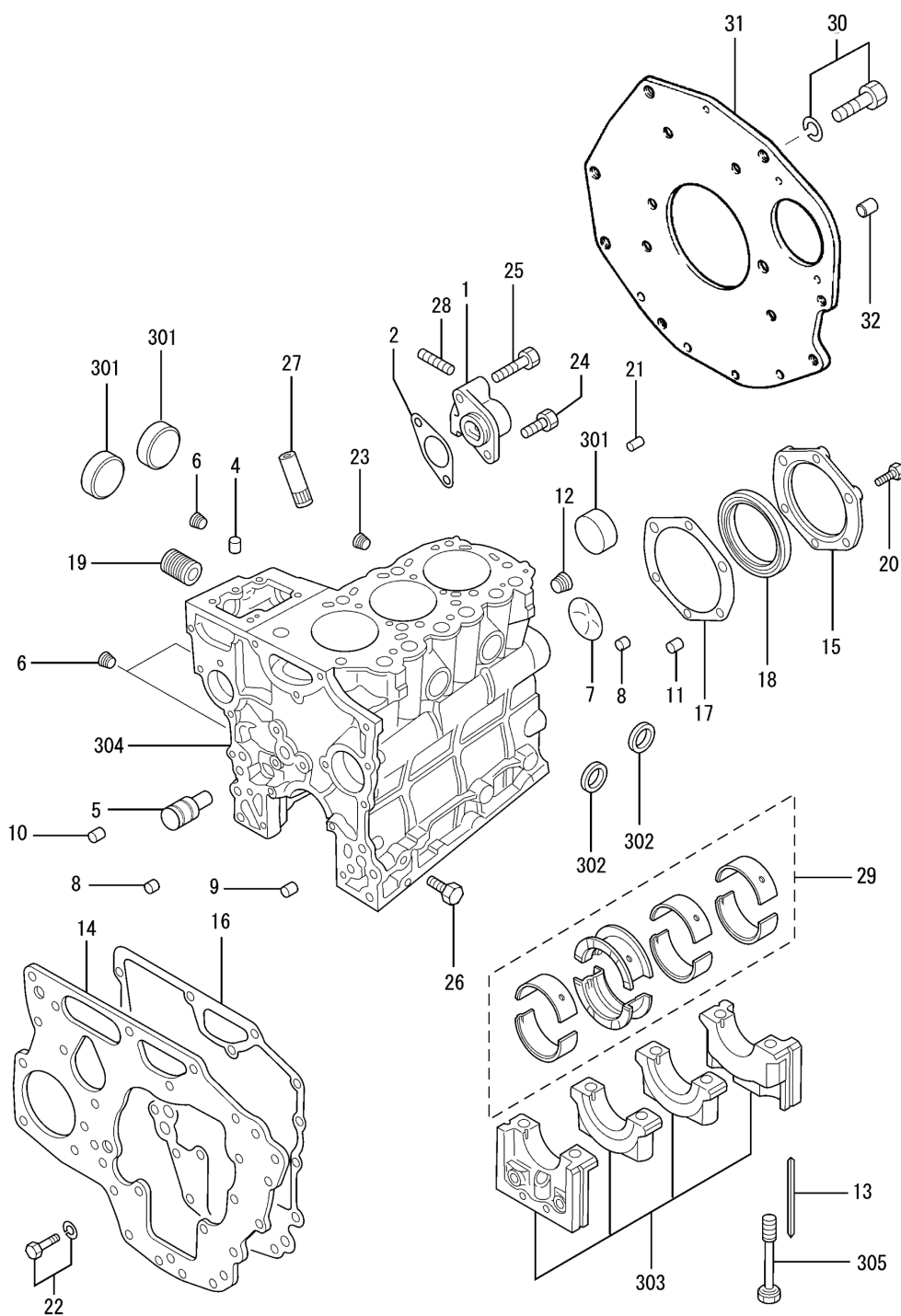
Pos.	Qty	Part	Description	Comment
1	1	AA.300.91008	ADAPTER,FUEL PUMP	
2	1	AA.300.91009	GASKET	
3	1	AA.300.91010	BLOCK SUB ASSY, CYL	
301	3	AA.300.91011	CAP, SEALING	
302	2	AA.300.91012	CAP, SEALING	
303	1		CAP ASSY, METAL	
304	1		BLOCK, CYLINDER	
305	8	AA.300.91013	BOLT, BEARING CAP	
4	2	AA.300.91014	PIN, DOWEL	
5	1	AA.300.91015	SHAFT, IDLER	
6	3	AA.300.91016	PLUG	
7	1	AA.300.91017	PLUG, EXPANSION	
8	2	AA.300.91018	BUSHING, KNOCK	
9	1	AA.300.91019	BUSHING, KNOCK	
10	2	AA.300.91020	BUSHING, KNOCK	
11	3	AA.300.91021	BUSHING, KNOCK	
12	1	AA.300.91022	PLUG, TAPERED	
13	4	AA.300.91023	SEAL, SIDE	
14	1	AA.300.91024	PLATE, FRONT	
15	1	AA.300.91025	CASE, OIL SEAL	
16	1	AA.300.91026	GASKET, FRONT PLATE	
17	1	AA.300.91027	GASKET, OIL SEAL CASE	
18	1	AA.300.91028	SEAL, OIL REAR	
19	1	AA.300.91029	SHAFT, OIL FILTER	
20	6	AA.300.91030	BOLT	
21	1	AA.300.91031	PIN, DOWEL	
22	7	AA.300.91032	BOLT,W/WASHER	
23	1	AA.300.91033	PLUG, TAPERED	
24	1	AA.300.91034	BOLT	
25	1	AA.300.91035	BOLT	
26	4	AA.300.91036	BOLT	
27	1	AA.300.91037	GUIDE, LEVEL GAGE	
28	2	AA.300.91038	STUD	
29	1	AA.300.91039	BEARING SET STD	
	1	AA.300.91040	BEARING SET U.S. 0.25	
	1	AA.300.91041	BEARING SET U.S. 0.50	
30	1	AA.300.91042	BOLT, W/WASHER	
31	6	AA.300.91043	PLATE, REAR	
32	1	AA.300.91044	PIN, KNOCK	

MARINISATION PARTS

mitsubishi parts

ELECTRONICS

2.1 CRANKCASE

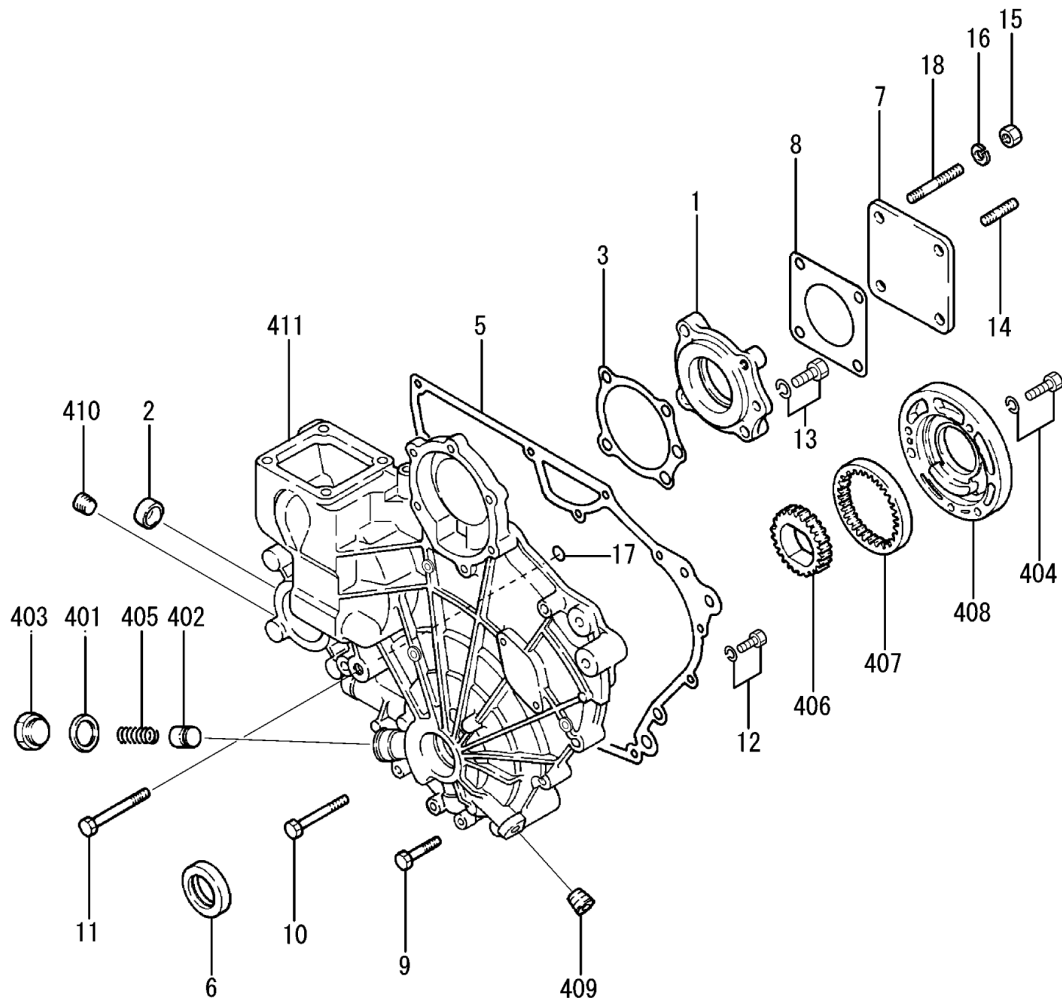


MARINISATION PARTS

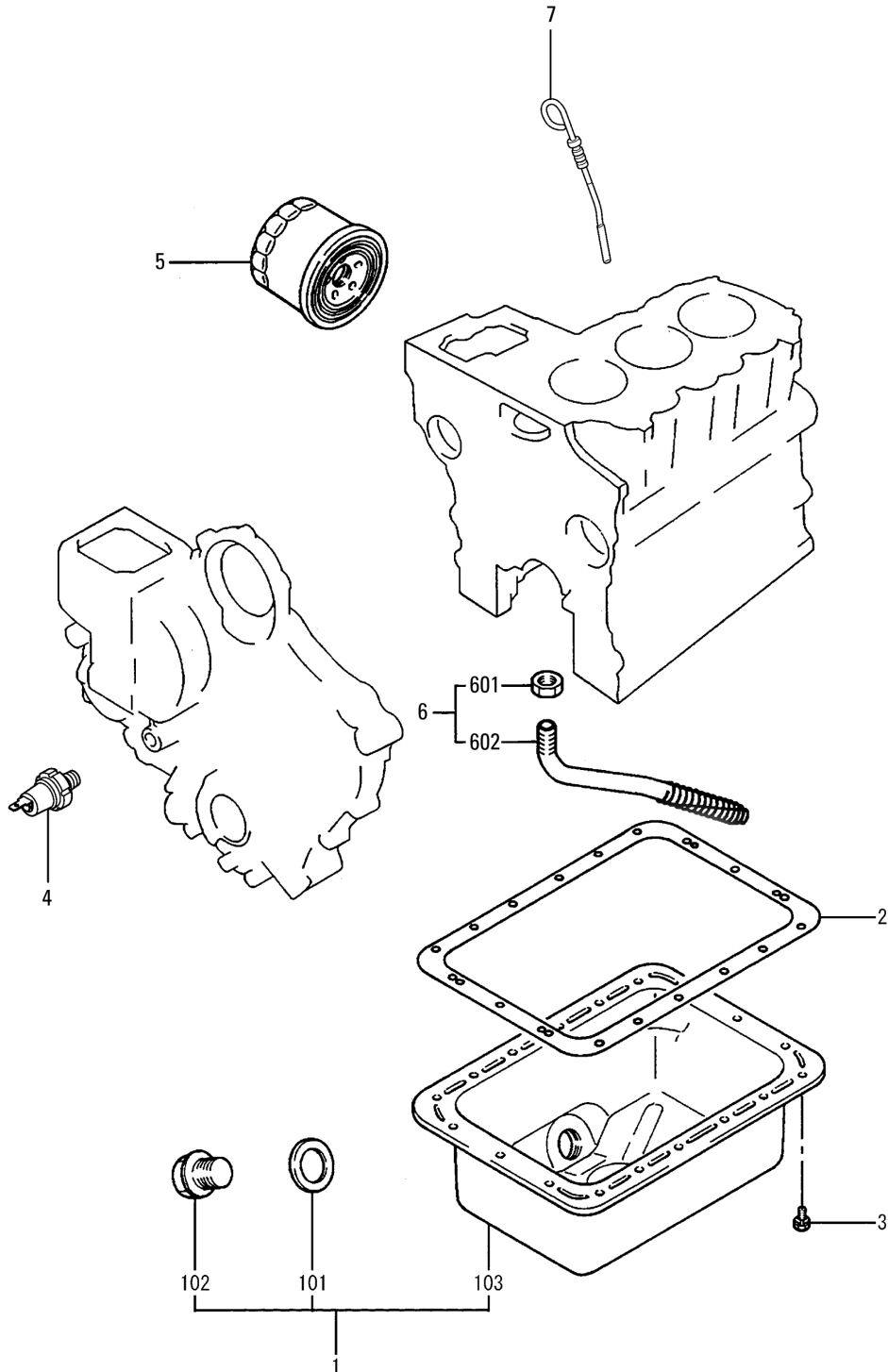
MITSUBISHI PARTS

ELECTRONICS

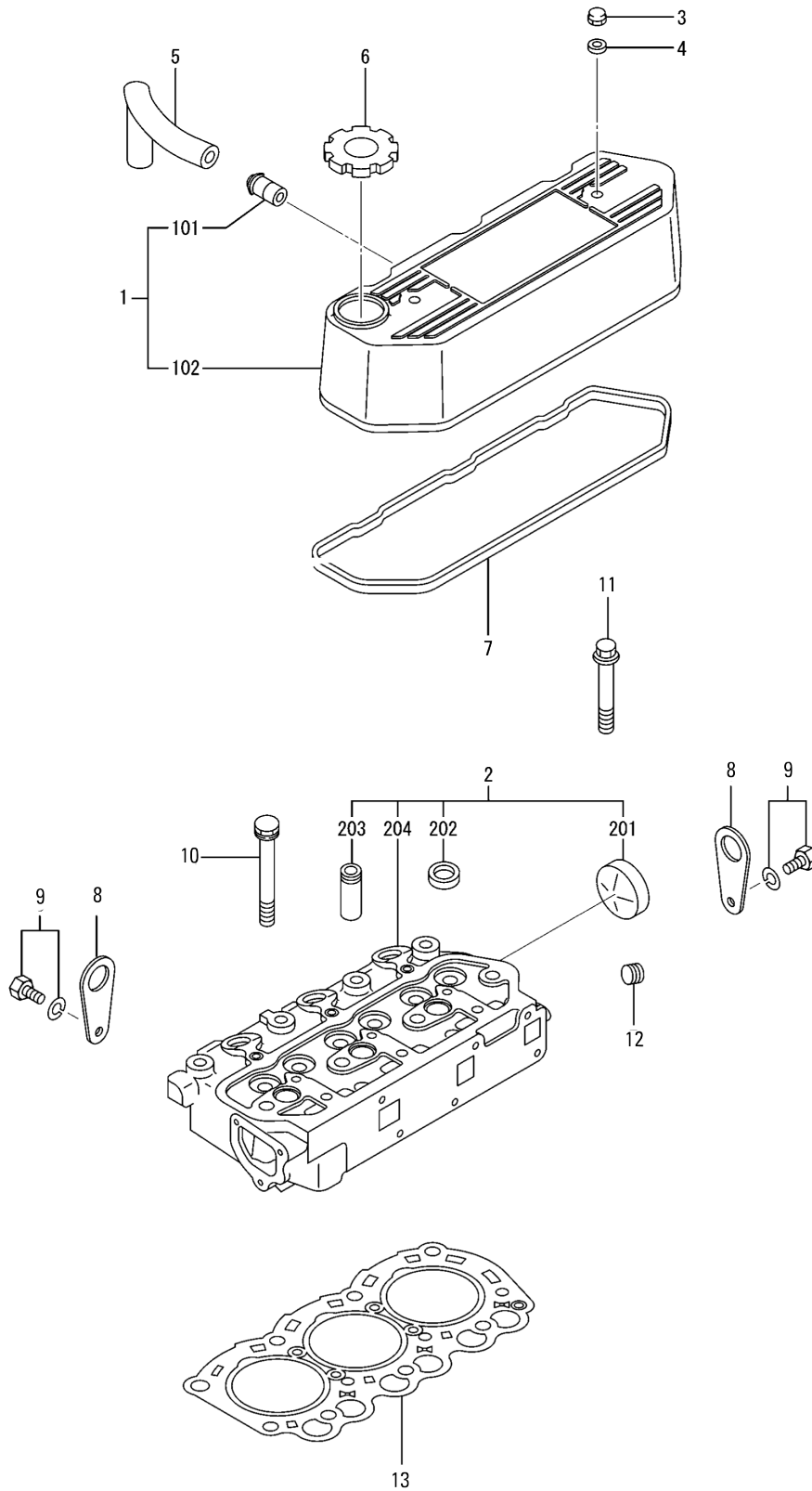
2.2 TIMING GEAR & CASE



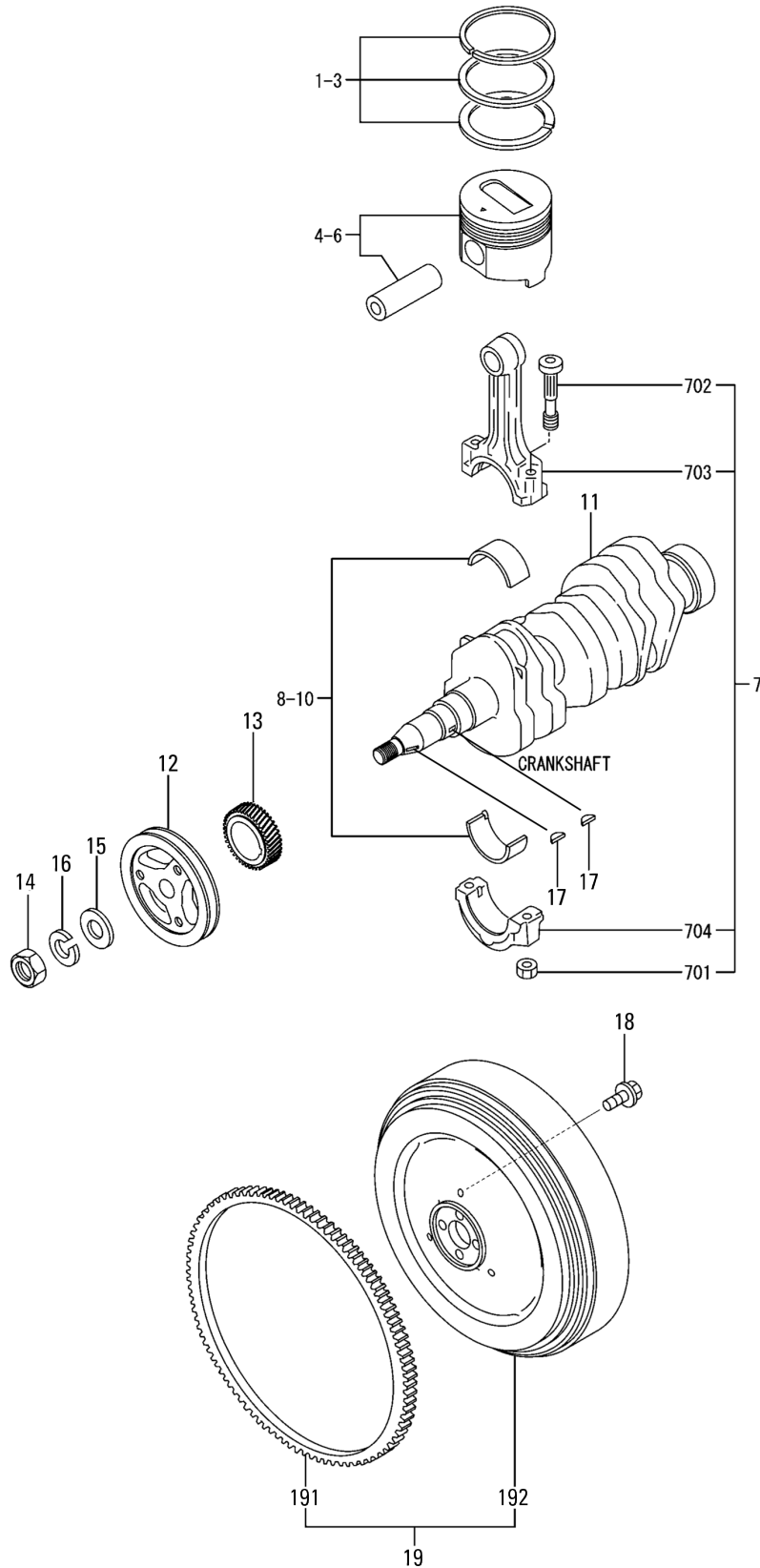
2.3 OIL SUMP



2.4 CYLINDER HEAD



2.5 CRANKSHAFT & FLYWHEEL



SPARE PARTS

CM3.27



2.6 CAMSHAFT & VALVE DRIVE

Pos.	Qty	Part	Description	Comment
1	6	AA.300.91119	CAP, VALVE STEM	
2	3	AA.300.91120	ARM, ROCKER INLET	
3	1	AA.300.91121	SHAFT ASSY, ROCKER	
4	6	AA.300.91122	NUT, JAM	
5	2	AA.300.91123	RING, SNAP	
6	2	AA.300.91124	SPRING, ROCKER SHAFT	
7	3	AA.300.91125	BRACKET, ROCKER SHAFT	
8	1	AA.300.91126	PIN, GROOVED	
9	6	AA.300.91127	SCREW, ADJUSTING	
10	3	AA.300.91128	ARM, ROCKER EXHAUST	
11	3	AA.300.91129	VALVE, INLET	
12	3	AA.300.91130	VALVE, EXHAUST	
13	6	AA.300.91131	RETAINER ,VALVE	
14	12	AA.300.91132	LOCK, VALVE SPRING	
15	6	AA.300.91077	SEAL, VALVE STEM	
16	2	AA.300.91134	BOLT, ROCKER STAY	
17	6	AA.300.91135	TAPPET	
18	6	AA.300.91136	ROD, PUSH	
19	1	AA.300.91137	BOLT	
20	3	AA.300.91070	WASHER, SPRING	
21	3	AA.300.91139	WASHER, PLAIN	
22	6	AA.300.91140	SPRING, VALVE	
23	1	AA.300.91141	CAMSHAFT	
24	1	AA.300.91142	SHAFT, FUEL INJ PUMP	
25	1	AA.300.91143	KEY, SUNK	
26	1	AA.300.91116	KEY, WOODRUFF	
27	1	AA.300.91145	BEARING, BALL	
28	3	AA.300.91146	BEARING, BALL	
29	1	AA.300.91147	BEARING, BALL	
30	1	AA.300.91148	GEAR, FUEL INJ PUMP Z=52	
31	1	AA.300.91149	GEAR ASSY, IDLER Z=40	
32	1	AA.300.91150	GEAR, CAMSHAFT Z=52	
33	1	AA.300.91151	GEAR, OIL PUMP Z-30	
34	1	AA.300.91152	PLATE, DISTANCE	
35	2	AA.300.91153	RING,SNAP	
36	2	AA.300.91077	BOLT, W/WASHER	
37	2	AA.300.91153	RING, SNAP	

MARINISATION PARTS

mitsubishi PARTS

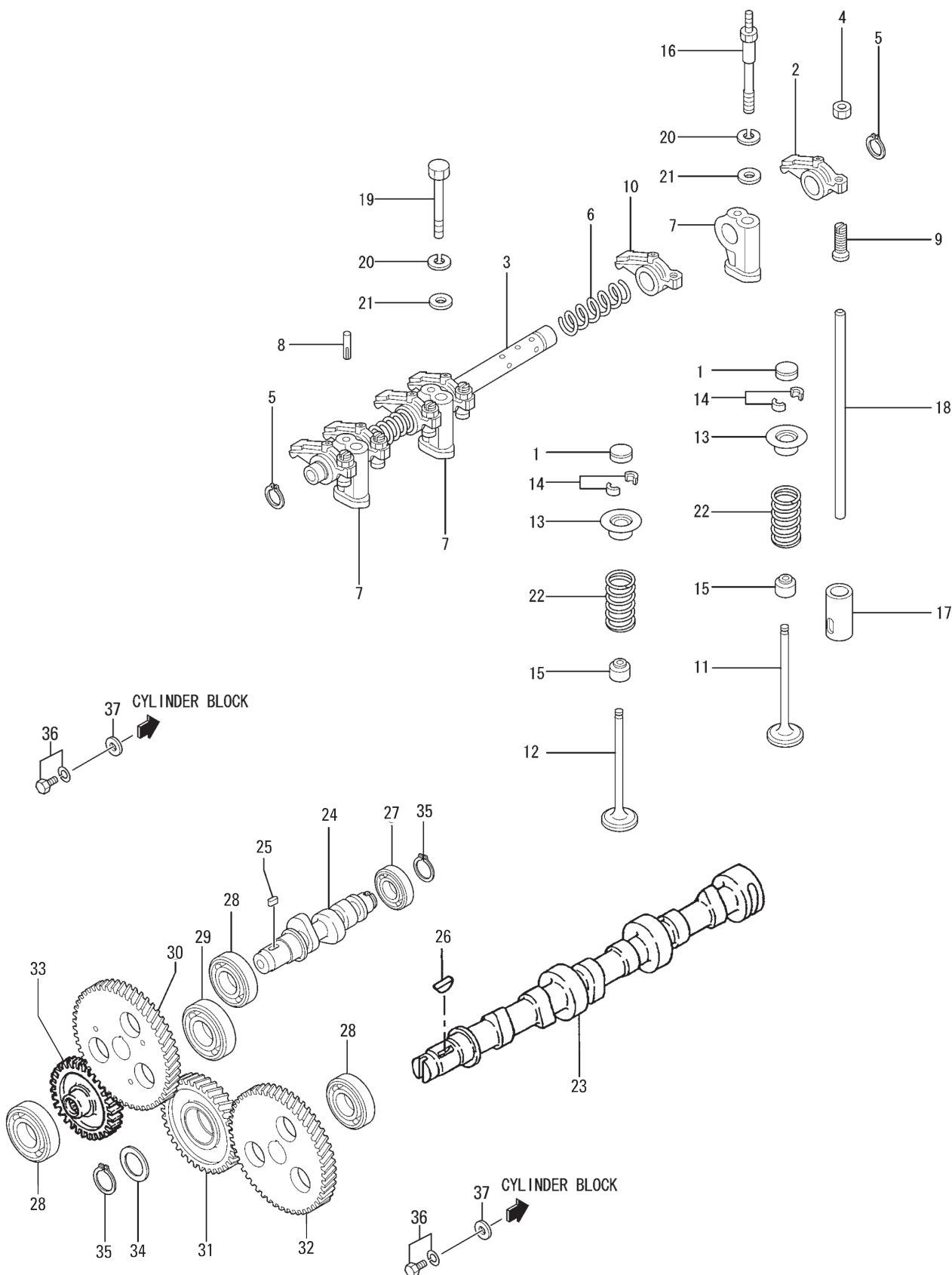
ELECTRONICS

2.6 CAMSHAFT & VALVE DRIVE

MARINISATION PARTS

MITSUBISHI PARTS

ELECTRONICS



SPARE PARTS

CM3.27

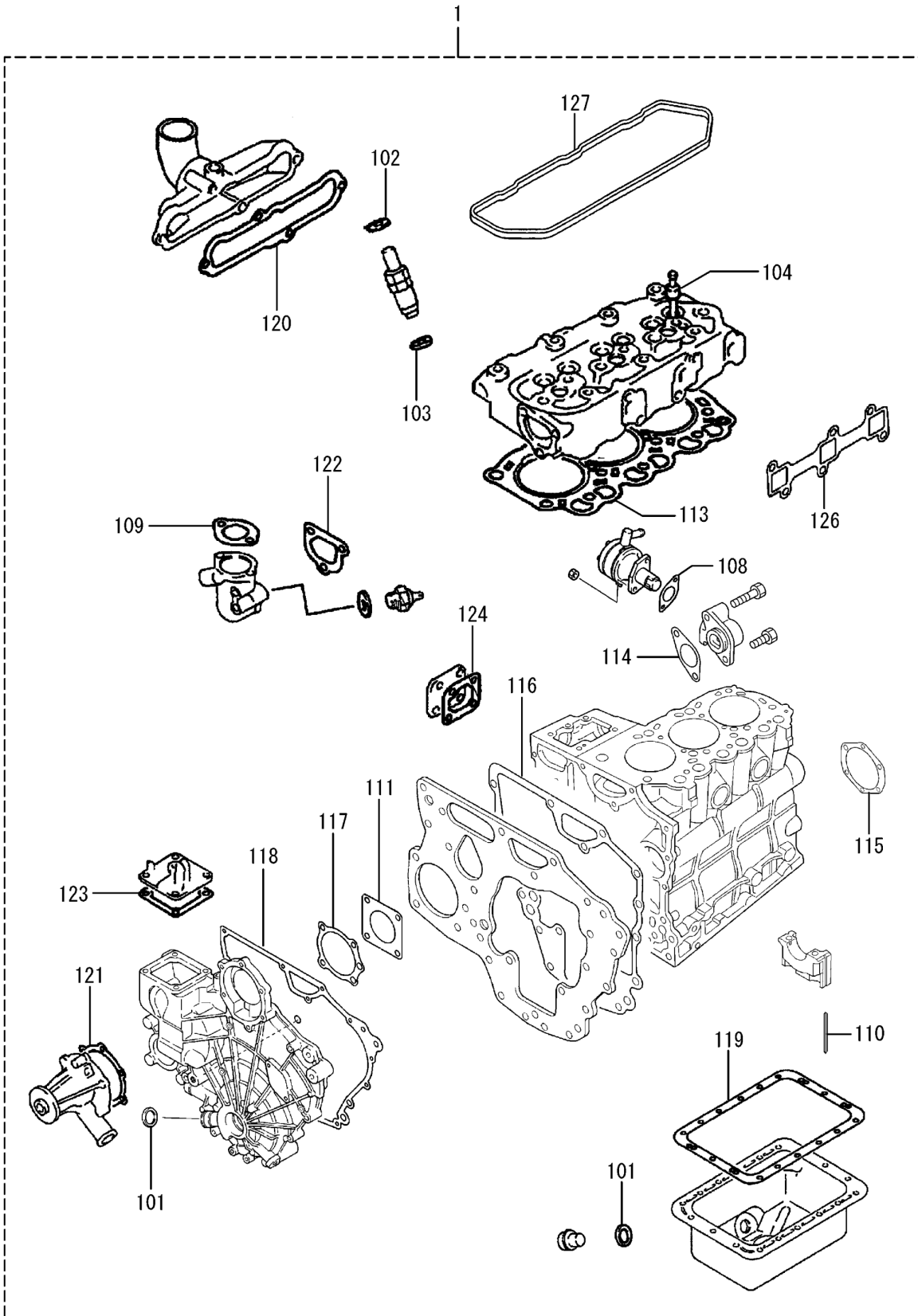


2.7 GASKET KIT

Pos.	Qty	Part	Description	Comment
1	1	AA.300.91156	GASKET KIT	
101	2	AA.300.91049	GASKET	
102	3	AA.300.91211	GASKET, FUEL RETURN	
103	3	AA.300.91204	GASKET, HOLDER	
104	6	AA.300.91133	SEAL, VALVE STEM	
105	2	AA.300.91161	O-RING	NOT SHOWN
106	1	AA.300.91162	O-RING, FILTER CUP	NOT SHOWN
107	1	AA.300.91163	O-RING, ELEMENT	NOT SHOWN
108	1	AA.300.91006	GASKET, FUEL PUMP	
109	1	AA.300.91187	GASKET, THERMOSTAT	
110	4	AA.300.91023	SEAL, SIDE	
111	1	AA.300.91062	GASKET, O/PUMP COVER	
112	1	AA.300.91168	GASKET	NOT SHOWN
113	1	AA.300.91097	GASKET, CYLINDER HEAD	
114	1	AA.300.91009	GASKET	
115	1	AA.300.91027	GASKET, OIL SEAL CASE	
116	1	AA.300.91026	GASKET, FRONT PLATE	
117	1	AA.300.91047	GASKET, HOUSING	
118	1	AA.300.91059	GASKET, GEAR CASE	
119	1	AA.300.91076	GASKET, OIL PAN	
120	1	AA.300.91003	GASKET, INTAKE MANF	
121	1	AA.300.91196	GASKET, WATER PUMP	
122	1	AA.300.91188	GASKET, THERMO FITT	
123	1	AA.300.91287	GASKET, GOV COVER	
124	1	AA.300.91283	GASKET, TIE-ROD COVER	
125	1	AA.300.91181	GASKET	NOT SHOWN
126	1	AA.300.90054	GASKET, EXHAUST	
127	1	AA.300.91091	GASKET, ROCKER	
128	1	AA.300.91184	GASKET, INTAKE	NOT SHOWN

MARINISATION PARTS
MITSUBISHI PARTS
ELECTRONICS

2.7 GASKET KIT



SPARE PARTS

CM3.27



2.8 CIRCULATION PUMP & THERMOSTAT

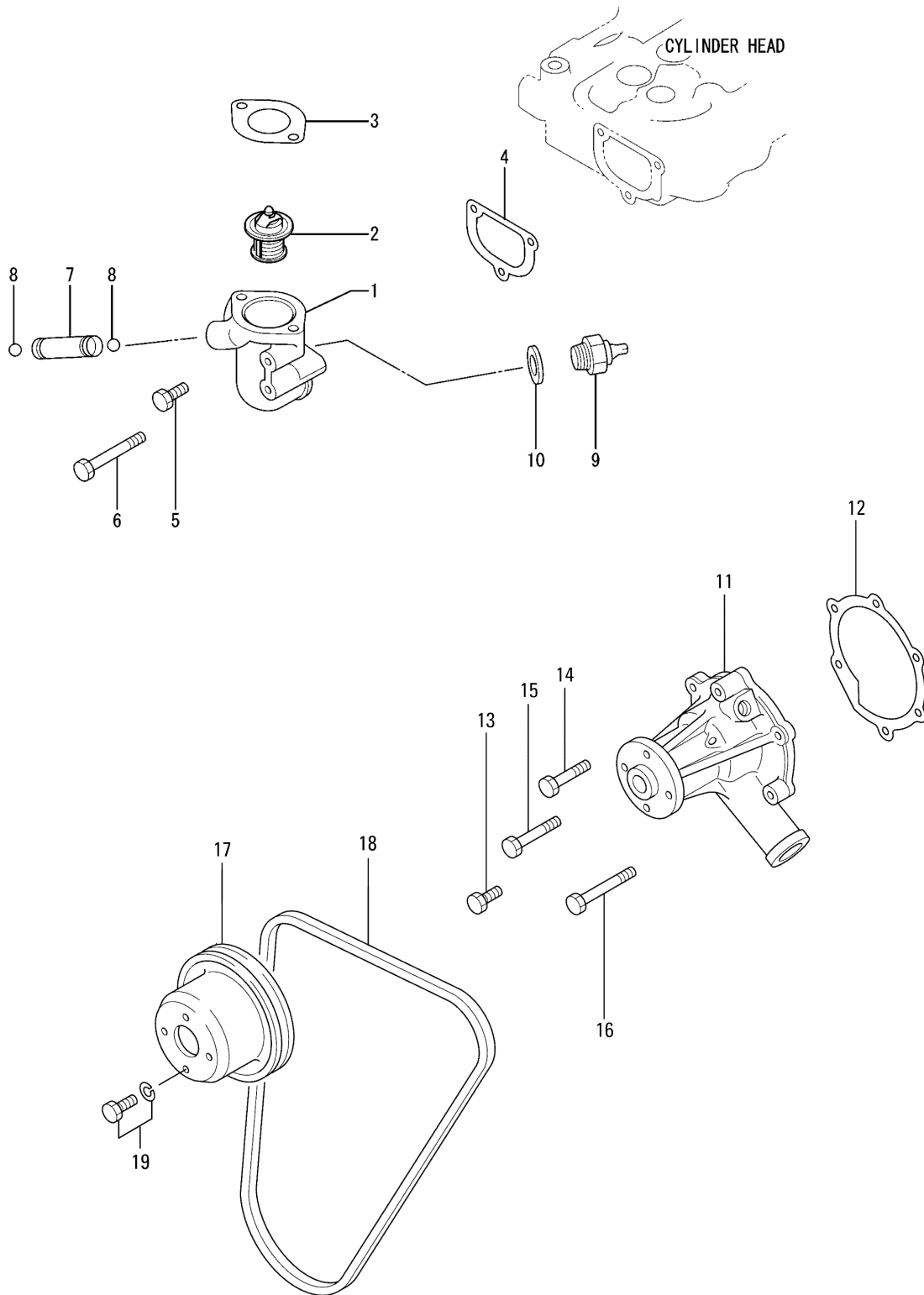
Pos.	Qty	Part	Description	Comment
1	1	AA.300.91185	CASE, THERMOSTAT	
2	1	AA.300.91186	THERMOSTAT	
3	1	AA.300.91187	GASKET, THERMOSTAT	
4	1	AA.300.91188	GASKET, THERMO	
5	2	AA.300.91004	BOLT	
6	1	AA.300.91190	BOLT	
7	1	AA.300.91191	PIPE, BY-PASS	
8	2	AA.300.91192	O-RING	
9	1	AA.300.91193	SWITCH ASSY, THERMO	
10	1	AA.300.91181	GASKET	
11	1	AA.300.91195	PUMP ASSY, WATER	
12	1	AA.300.91196	GASKET, WATER PUMP	
13	2	AA.300.91004	BOLT	
14	1	AA.300.91063	BOLT	
15	1	AA.300.91005	BOLT	
16	2	AA.300.91064	BOLT	
17	1	AA.300.91201	PULLEY, WATER PUMP	
18	1	AA.300.91202	V-BELT, WATER PUMP L=905	
19	4	AA.300.91077	BOLT, W/WASHER	

MARINISATION PARTS

mitsubishi PARTS

ELECTRONICS

2.8 CIRCULATION PUMP & THERMOSTAT



SPARE PARTS

CM3.27



2.9 FUEL SYSTEM

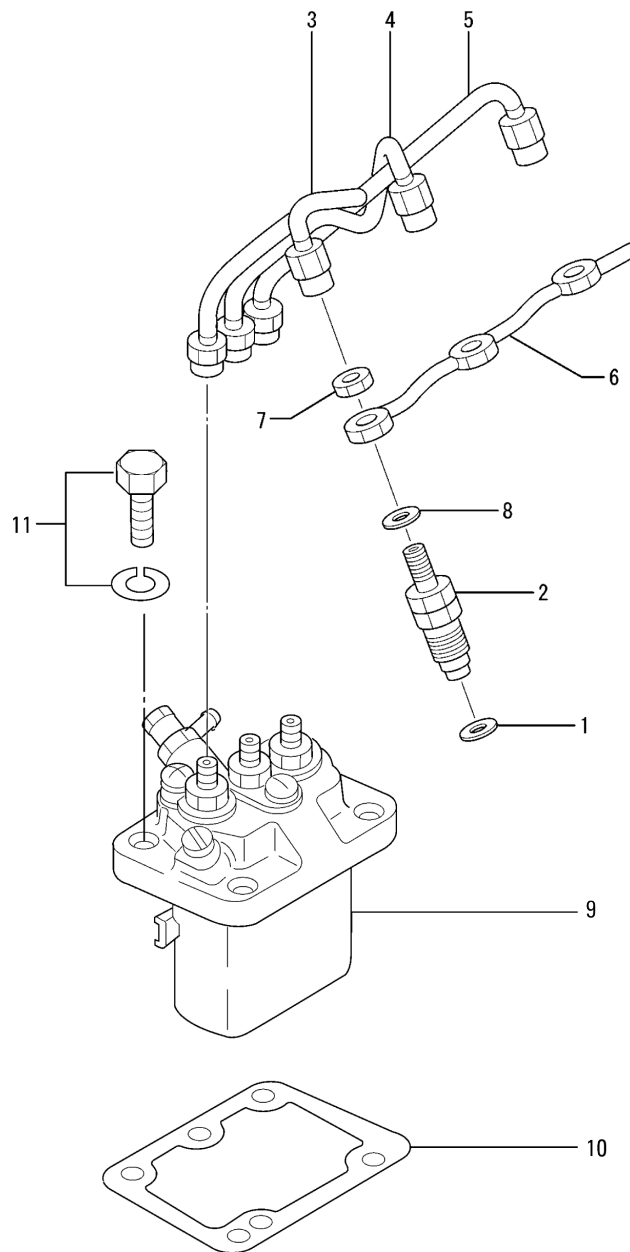
Pos.	Qty	Part	Description	Comment
1	3	AA.300.91204	GASKET, HOLDER	
2	3	AA.300.91205	NOZZLE & HOLDER ASSY	
3	1	AA.300.91206	PIPE, INJECTION NO.1	
4	1	AA.300.91207	PIPE, INJECTION NO.2	
5	1	AA.300.91208	PIPE, INJECTION NO.3	
6	1	AA.300.91209	PIPE, FUEL RETURN	
7	3	AA.300.91210	NUT	
8	1	AA.300.91211	GASKET, FUEL RETURN	
9	1	AA.300.91212	PUMP ASSY, FUEL INJ	
10	AR	AA.300.91213	SHIM, ADJUSTING T=0.5	
	AR	AA.300.91214	SHIM, ADJUSTING T=0.2	
	AR	AA.300.91215	SHIM, ADJUSTING T=0.3	
	AR	AA.300.91216	SHIM, ADJUSTING T=0.4	
	AR	AA.300.91217	SHIM, ADJUSTING T=0.6	
	AR	AA.300.91218	SHIM, ADJUSTING T=0.7	
	AR	AA.300.91219	SHIM, ADJUSTING T=0.8	
	AR	AA.300.91220	SHIM, ADJUSTING T=0.9	
	AR	AA.300.91221	SHIM, ADJUSTING T=1.0	
	11	4	AA.300.91222	BOLT, W/WASHER

MARINISATION PARTS

mitsubishi parts

ELECTRONICS

2.9 FUEL SYSTEM



SPARE PARTS

CM3.27



2.10 NOZZLE HOLDER

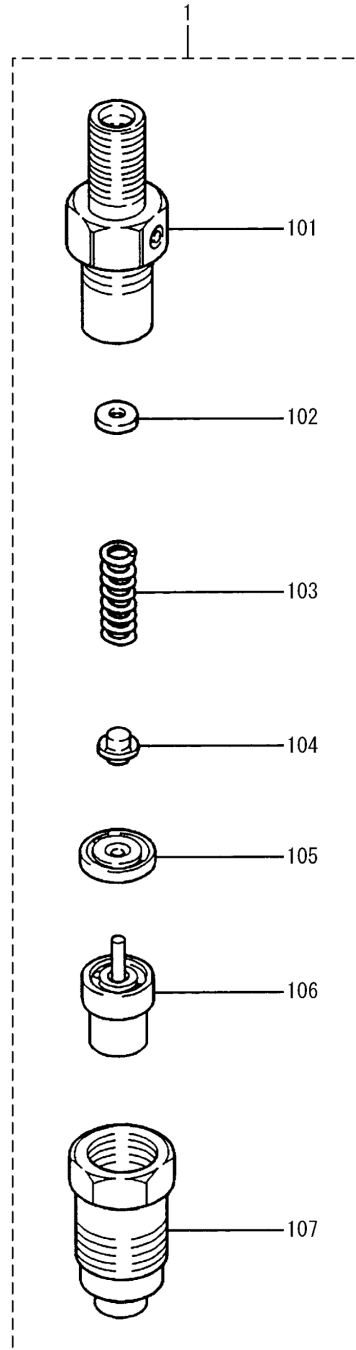
Pos.	Qty	Part	Description	Comment	
1	3	AA.300.91205	NOZZLE & HOLDER ASSY		
101	1		BODY SUB ASSY		
102	AR	AA.300.91224	WASHER T=1.25		
	AR	AA.300.91225	WASHER T=1.30		
	AR	AA.300.91226	WASHER T=1.35		
	AR	AA.300.91227	WASHER T=1.40		
	AR	AA.300.91228	WASHER T=1.45		
	AR	AA.300.91229	WASHER T=1.50		
	AR	AA.300.91230	WASHER T=1.55		
	AR	AA.300.91231	WASHER T=1.60		
	AR	AA.300.91232	WASHER T=1.65		
	AR	AA.300.91233	WASHER T=1.70		
	103	1	AA.300.91234	SPRING, PRESSURE	
	104	1	AA.300.91235	PIN, PRESSURE	
105	1	AA.300.91236	PIECE, DISTANCE		
106	1	AA.300.91237	NOZZLE ASSY		
107	1	AA.300.91238	NUT, NOZZLE RETAINING		

MARINISATION PARTS

mitsubishi parts

ELECTRONICS

2.10 NOZZLE HOLDER



2.11 FUEL PUMP

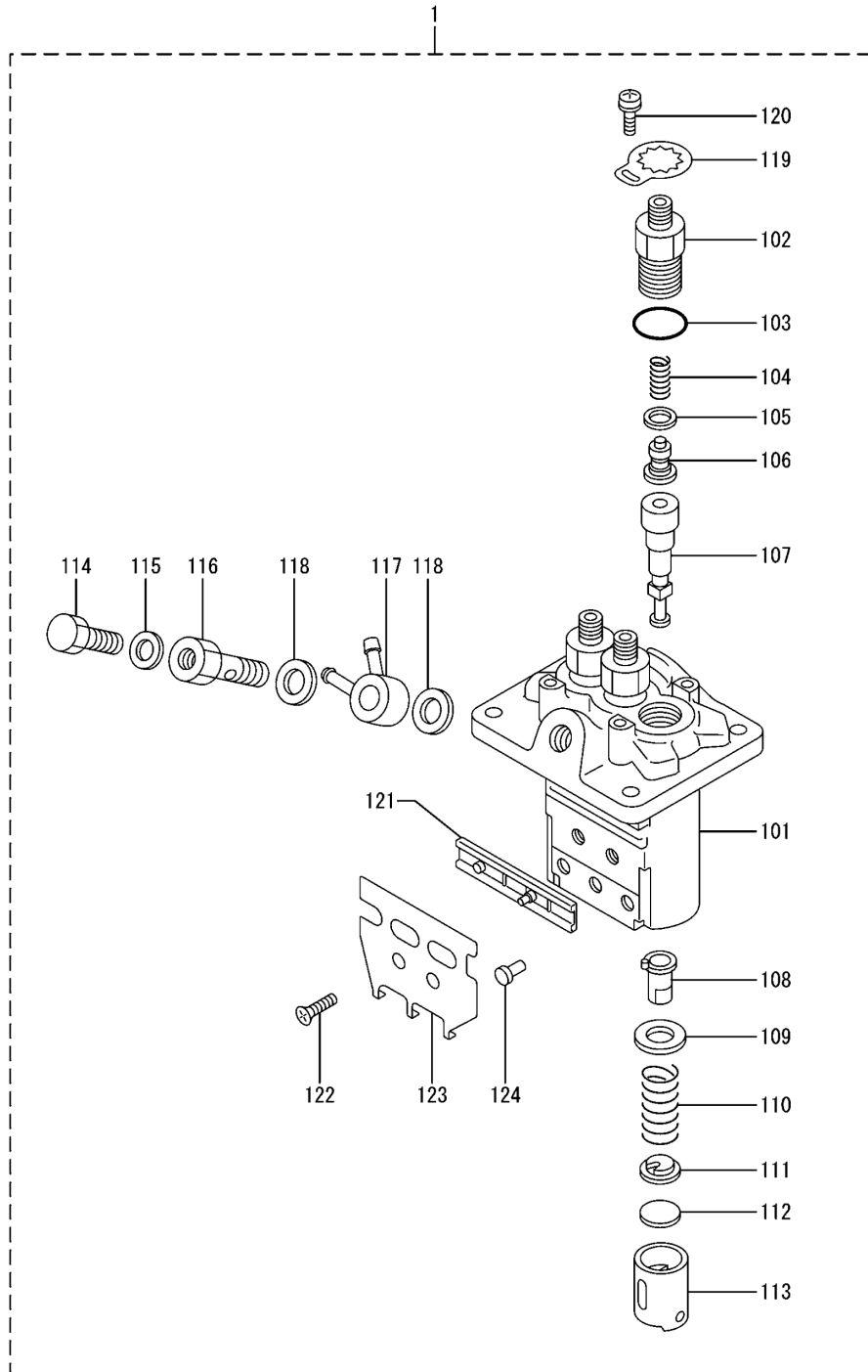
Pos.	Qty	Part	Description	Comment
1	1	AA.300.91212	PUMP ASSY, FUEL INJ	
101	1	AA.300.91240	HOUSING SUB ASSY	
102	3	AA.300.91241	HOLDER, DELIVERY	
103	3	AA.300.91242	O-RING	
104	3	AA.300.91243	SPRING, DELIVERY	
105	3	AA.300.91244	GASKET, DELIVERY	
106	3	AA.300.91245	VALVE SUB ASSY	
107	3	AA.300.91246	ELEMENT SUB ASSY	
108	3	AA.300.91247	SLEEVE SUB ASSY	
109	3	AA.300.91248	SEAT, SPRING UPPER	
110	3	AA.300.91249	SPRING, PLUNGER	
111	3	AA.300.91250	SEAT, SPRING LOWER	
112	AR	AA.300.91251	PLATE, TAPPET SHIM T=1.85	
	AR	AA.300.91252	PLATE, TAPPET SHIM T=1.90	
	AR	AA.300.91253	PLATE, TAPPET SHIM T=1.95	
	AR	AA.300.91254	PLATE, TAPPET SHIM T=2.00	
	AR	AA.300.91255	PLATE, TAPPET SHIM T=2.05	
	AR	AA.300.91256	PLATE, TAPPET SHIM T=2.10	
	AR	AA.300.91257	PLATE, TAPPET SHIM T=2.15	
	AR	AA.300.91258	PLATE, TAPPET SHIM T=2.20	
	AR	AA.300.91259	PLATE, TAPPET SHIM T=2.25	
	AR	AA.300.91260	PLATE, TAPPET SHIM T=2.30	
	AR	AA.300.91261	PLATE, TAPPET SHIM T=2.35	
	AR	AA.300.91262	PLATE, TAPPET SHIM T=2.40	
	AR	AA.300.91263	PLATE, TAPPET SHIM T=2.45	
	AR	AA.300.91264	PLATE, TAPPET SHIM T=2.50	
113	3	AA.300.91265	TAPPET SUB ASSY	
114	1	AA.300.91266	SCREW, AIR BLEEDER	
115	1	AA.300.91267	WASHER, DRAIN SCREW	
116	1	AA.300.91268	SCREW, HOLLOW	
117	1	AA.300.91269	NIPPLE, SWIVEL	
118	2	AA.300.91270	WASHER, DRAIN UNION	
119	3	AA.300.91271	PLATE, LOCK	
120	3	AA.300.91272	SCREW, W/WASHER	
121	1	AA.300.91273	RACK ASSY, CONTROL	
122	2	AA.300.91274	SCREW, COUNTERSUNK	
123	1	AA.300.91275	BRACKET, STOP WIRE	
124	3	AA.300.91276	PIN, TAPPET GUIDE	

MARINISATION PARTS

MITSUBISHI PARTS

ELECTRONICS

2.11 FUEL PUMP

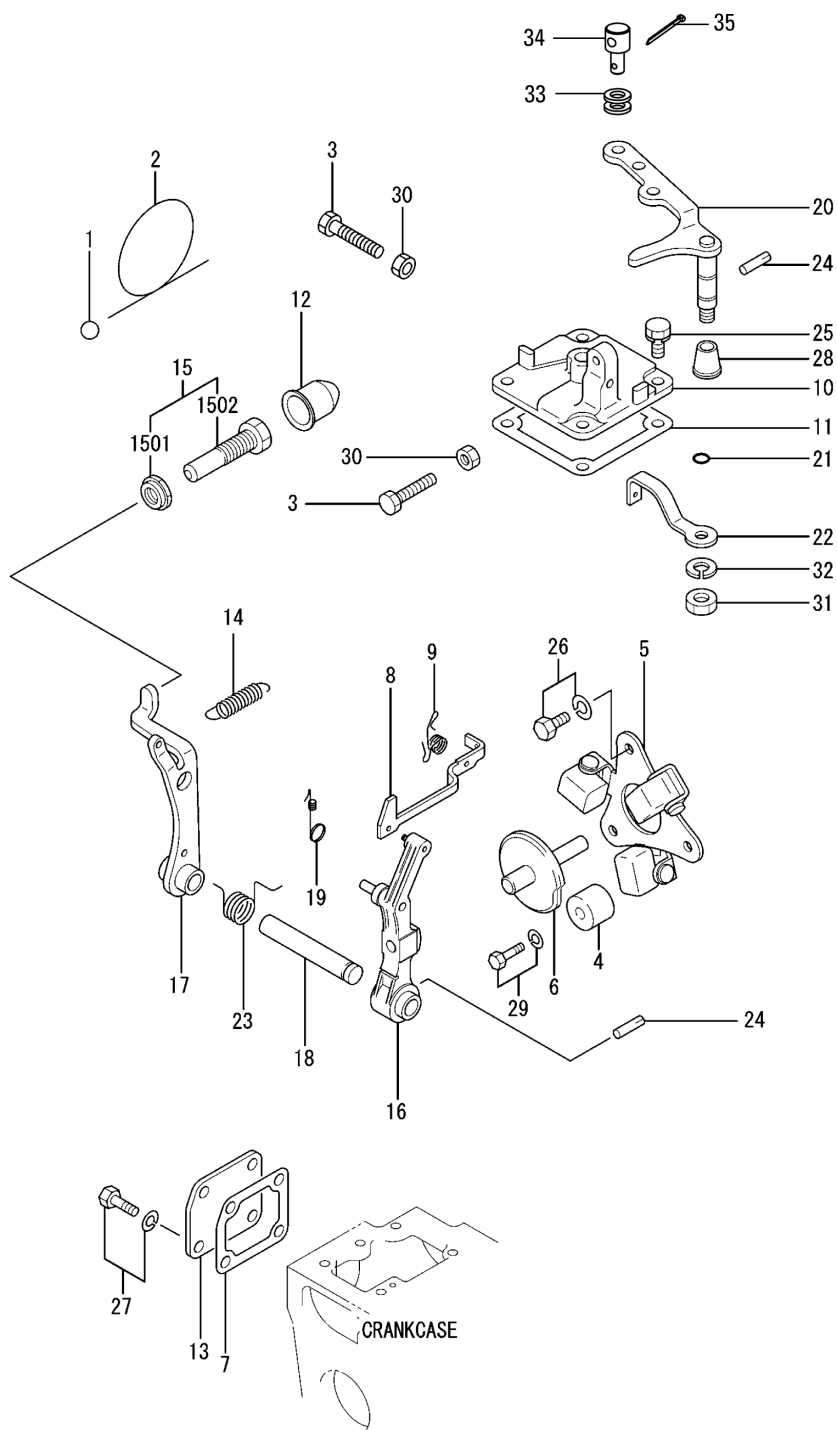


2.12 REGULATOR

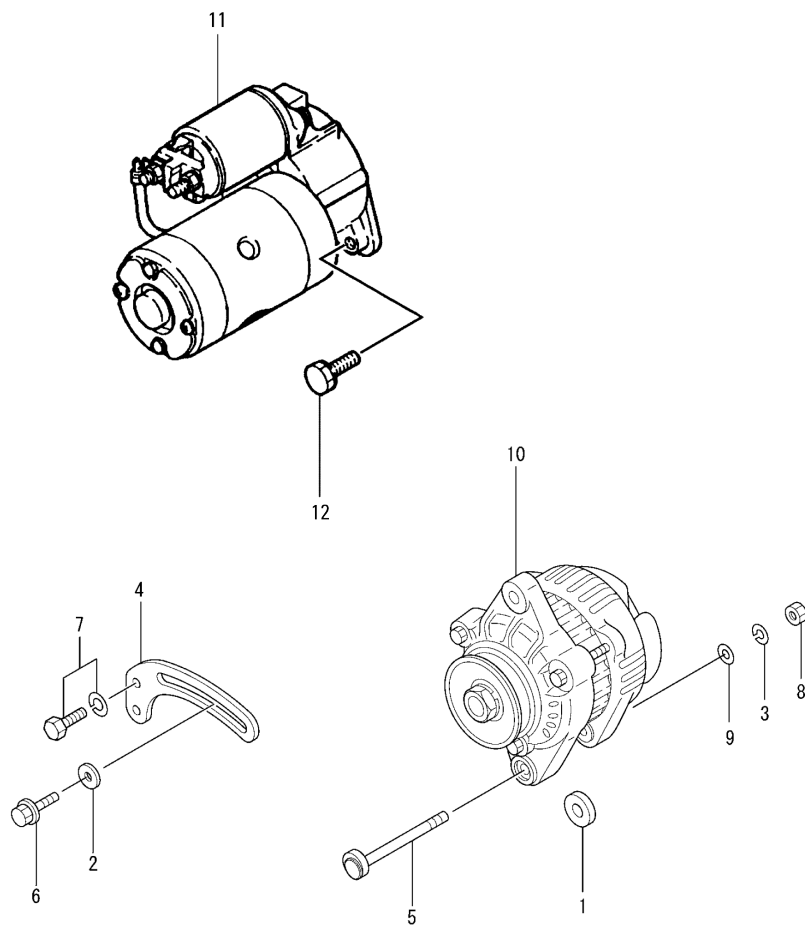
Pos.	Qty	Part	Description	Comment
1	1	AA.300.91277	METAL, FUEL	
2	1	AA.300.91278	WIRE	
3	2	AA.300.91279	BOLT, HIGH SPEED SET	
4	1	AA.300.91280	STOPPER	
5	1	AA.300.91281	WEIGHT ASSY, GOVERNOR	
6	1	AA.300.91282	SHAFT ASSY, SLIDING	
7	1	AA.300.91283	GASKET, TIE-ROD COVER	
8	1	AA.300.91284	TIE-ROD	
9	1	AA.300.91285	SPRING, TIE-ROD	
10	1	AA.300.91286	COVER, GOVERNOR	
11	1	AA.300.91287	GASKET, GOV COVER	
12	1	AA.300.91288	CAP, TORQUE SET	
13	1	AA.300.91289	COVER, TIE-ROD	
14	1	AA.300.91290	SPRING, GOVERNOR	
15	1		SCREW ASSY, RACK SET	
1501	1	AA.300.91291	NUT, TORQUE SET	
1502	1	AA.300.91292	SCREW, RACK SET	
16	1	AA.300.91293	LEVER ASSY, GOVERNOR	
17	1	AA.300.91294	LEVER ASSY, TENSION	
18	1	AA.300.91295	SHAFT, GOVERNOR	
19	1	AA.300.91296	SPRING, TIE-ROD	
20	1	AA.300.91297	LEVER ASSY, SPEED	
21	1	AA.300.91298	O-RING	
22	1	AA.300.91299	LEVER, GOVERNOR	
23	1	AA.300.91300	SPRING, START	
24	2	AA.300.91301	PIN, GROOVED	
25	3	AA.300.91302	BOLT	
26	2	AA.300.91002	BOLT, W/WASHER	
27	3	AA.300.91032	BOLT, W/WASHER	
28	1	AA.300.91305	COVER, GOVERNOR SHAFT	
29	1	AA.300.91306	BOLT, W/WASHER	
30	2	AA.300.91007	NUT	
31	1	AA.300.91308	NUT, JAM	
32	1	AA.300.91070	WASHER, SPRING	
33	2	AA.300.90069	WASHER M6	
34	1	AA.200.90051	NIPPLE	
35	1	AA.300.90142	SPLIT PIN 2X25	

MARINISATION PARTS
 MITSUBISHI PARTS
 ELECTRONICS

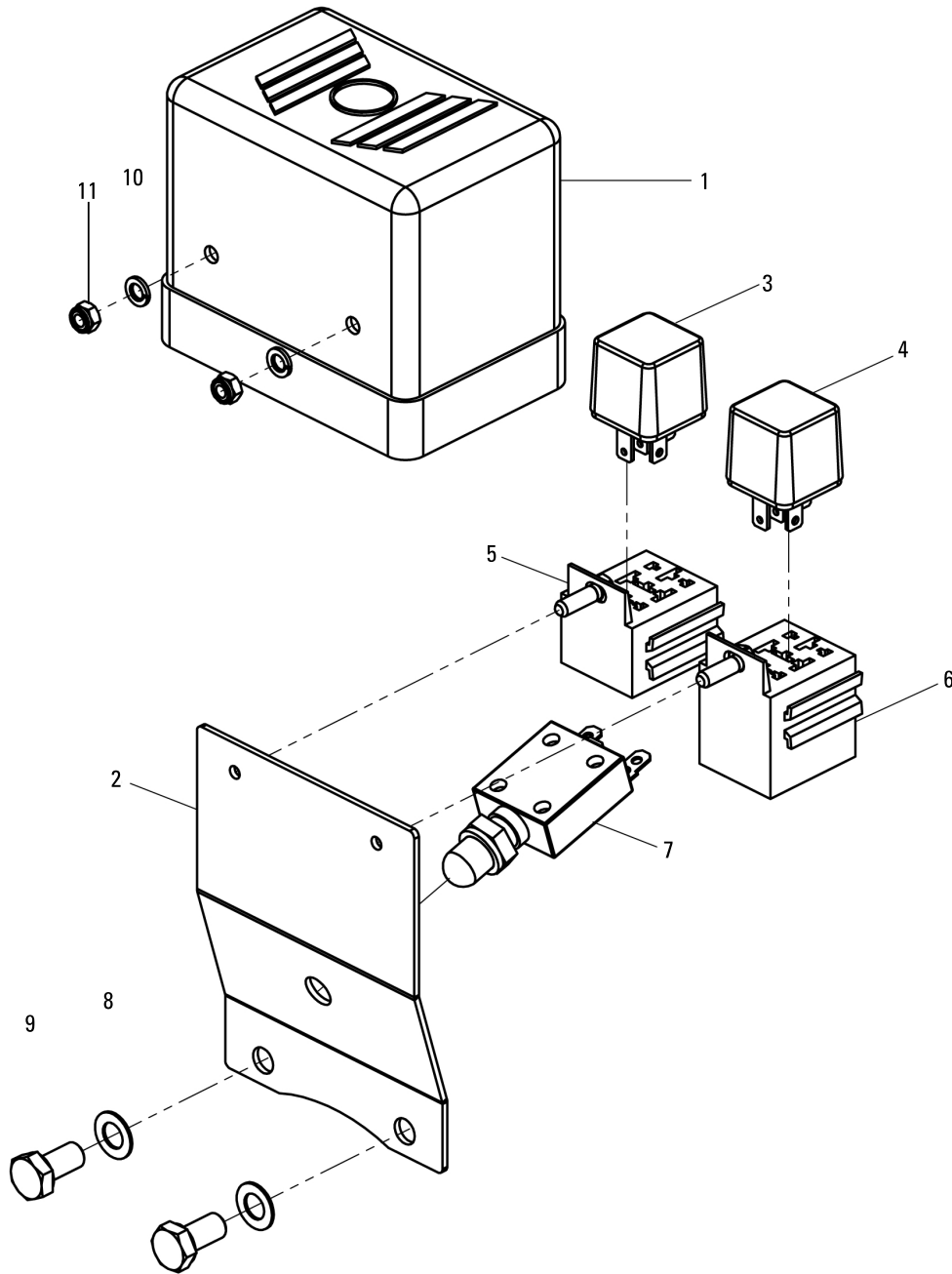
2.12 REGULATOR



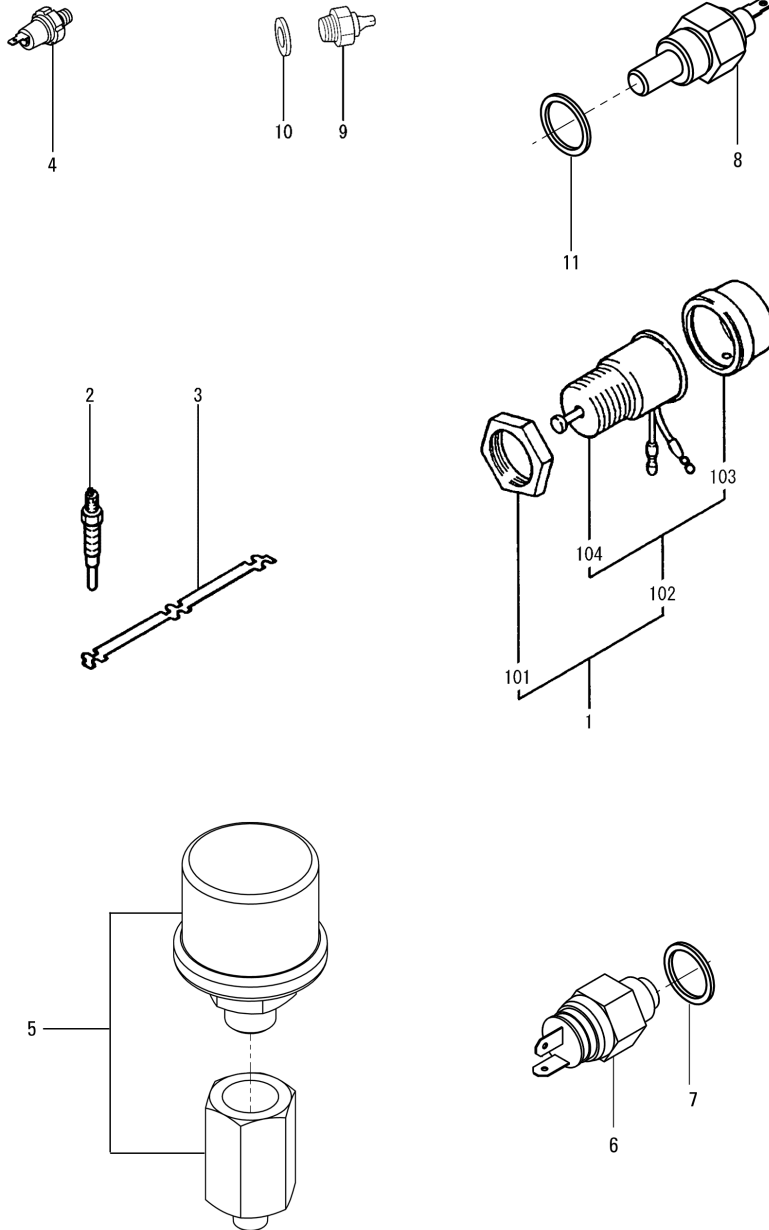
3.1 ALTERNATOR & STARTER



3.2 TERMINAL BOX



3.3 SENSORS



3.4 INSTRUMENT PANEL

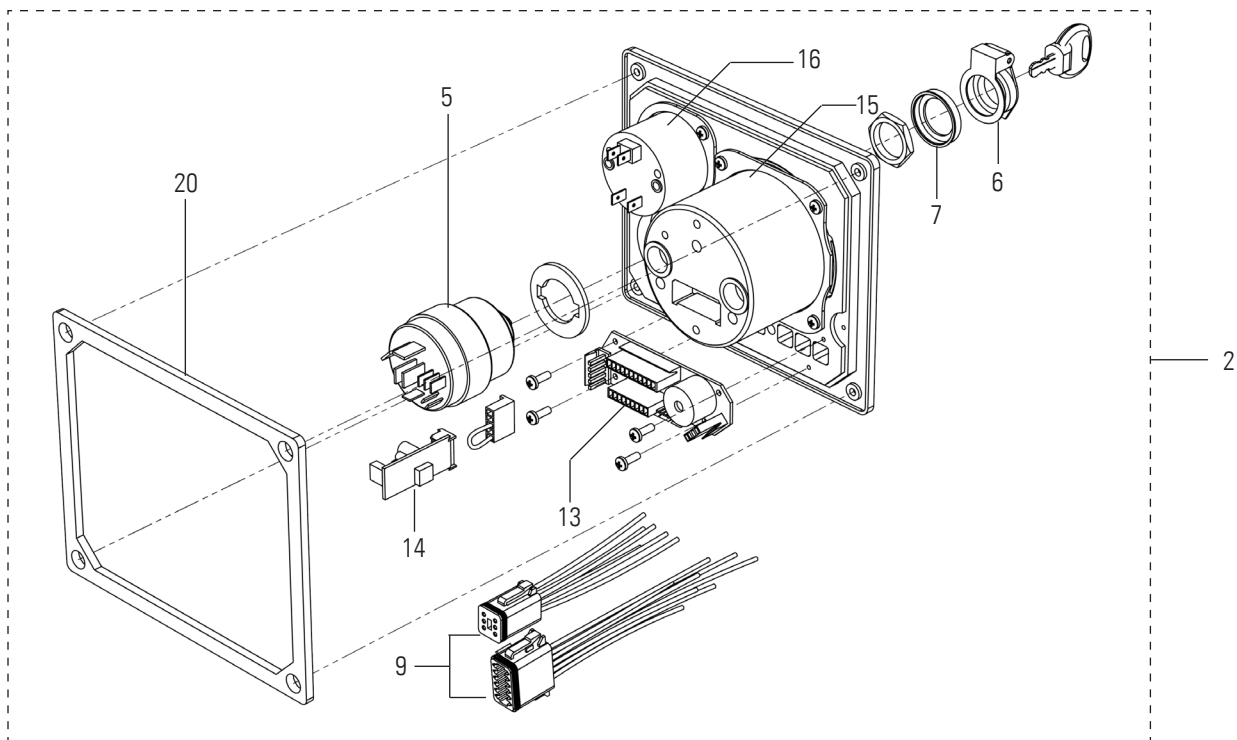
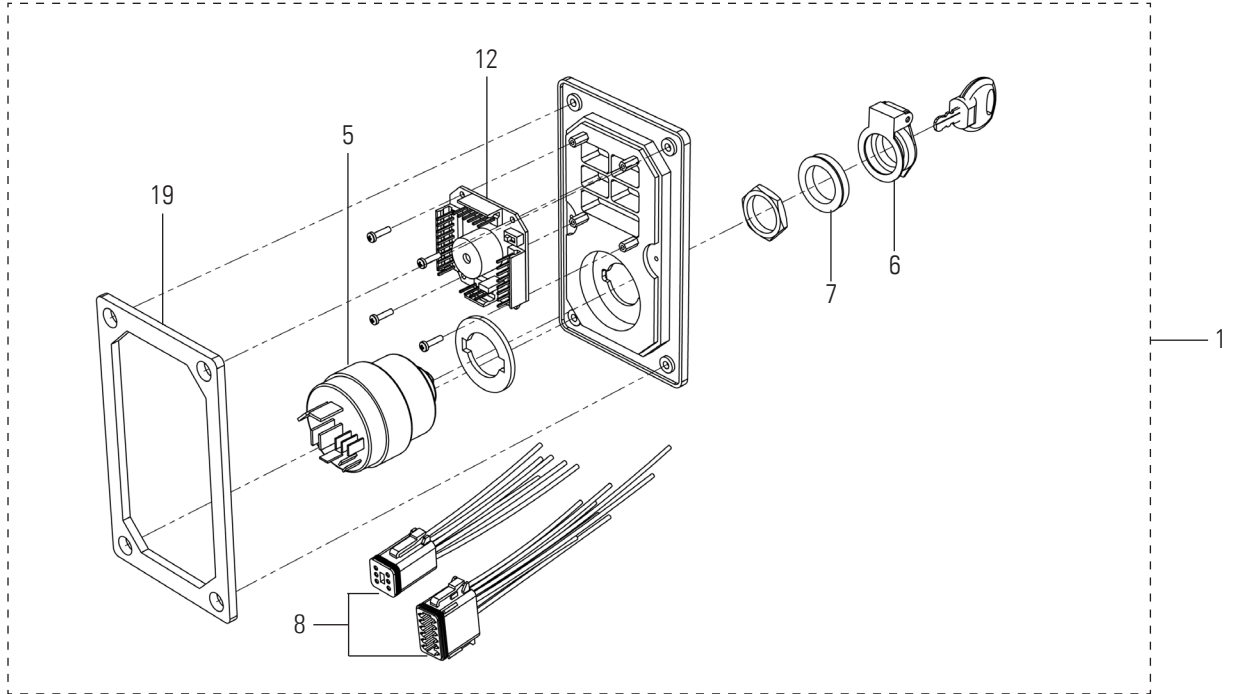
Pos.	Qty	Part	Description	Comment
1	1	AB.010.20000	ALFA 10E ENGINE PANEL COMPLETE	
2	1	AB.020.20000	ALFA 20E ENGINE PANEL COMPLETE	
3	1	AB.030.20000	ALFA 30E ENGINE PANEL COMPLETE	
4	1	AB.040.20000	ALFA 40E ENGINE PANEL COMPLETE	
5	1	AB.010.90001	IGNITION SWITCH COMPLETE	
6	1	AB.010.90002	DUSTCOVER	
7	1	AB.010.90003	CAP	
8	1	AB.010.00002	WIRING LOOM ALFA 10E	
9	1	AB.020.00002	WIRING LOOM ALFA 20E	
10	1	AB.030.00002	WIRING LOOM ALFA 30E	
11	1	AB.040.00002	WIRING LOOM ALFA 40E	NOT SHOWN
12	1	AB.010.00003	PCB ALFA 10E	
13	1	AB.020.00003	PCB ALFA 20E/ALFA 30E/ALFA 40E	
14	1	AB.010.00004	DIMMER PCB	
15	1	DB.010.20001	TACHOMETER, BLACK	
		DB.010.21001	TACHOMETER, WHITE	
16	1	DB.010.20004	VOLTMETER, BLACK	
		DB.010.21004	VOLTMETER, WHITE	
17	1	DB.010.20003	TEMPERATURE GAUGE, BLACK	
		DB.010.21003	TEMPERATURE GAUGE, WHITE	
18	1	DB.010.20002	OIL PRESSURE GAUGE, BLACK	
		DB.010.21002	OIL PRESSURE GAUGE, WHITE	
19	1	AB.010.00004	GASKET ALFA 10E	
20	1	AB.020.00004	GASKET ALFA 20E	
21	1	AB.030.00004	GASKET ALFA 30E	
22	1	AB.040.00004	GASKET ALFA 40E	
23	1	AA.300.90149	MOUNTING SET ALFA 10/20/30	NOT SHOWN
24	1	AA.300.90150	MOUNTING SET ALFA 40	
25	1	AA.300.90151	FRONT STICKER ALFA 10	NOT SHOWN
		AA.300.90152	FRONT STICKER ALFA 20	NOT SHOWN
		AA.300.90153	FRONT STICKER ALFA 30	NOT SHOWN
		AA.300.90154	FRONT STICKER ALFA 40	NOT SHOWN
26	1	AA.300.90155	ALUMINIUM FRONT ALFA 40	

MARINISATION PARTS

MITSUBISHI PARTS

ELECTRONICS

3.4 INSTRUMENT PANEL



3.4 INSTRUMENT PANEL

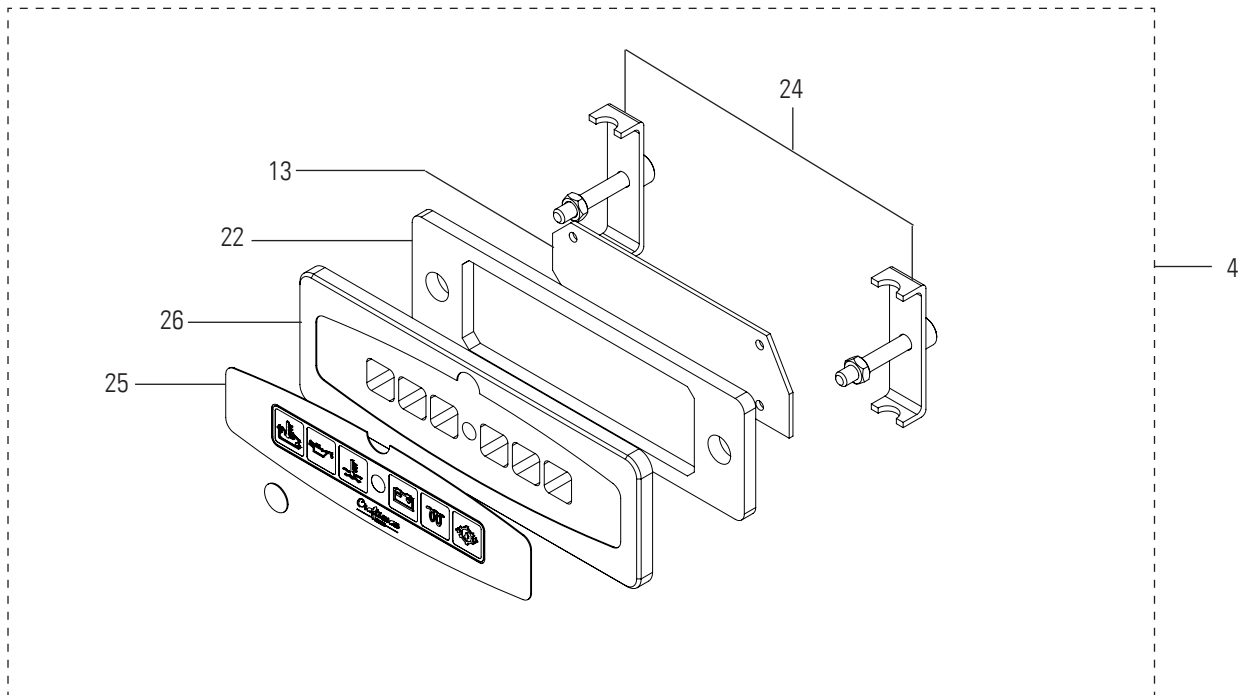
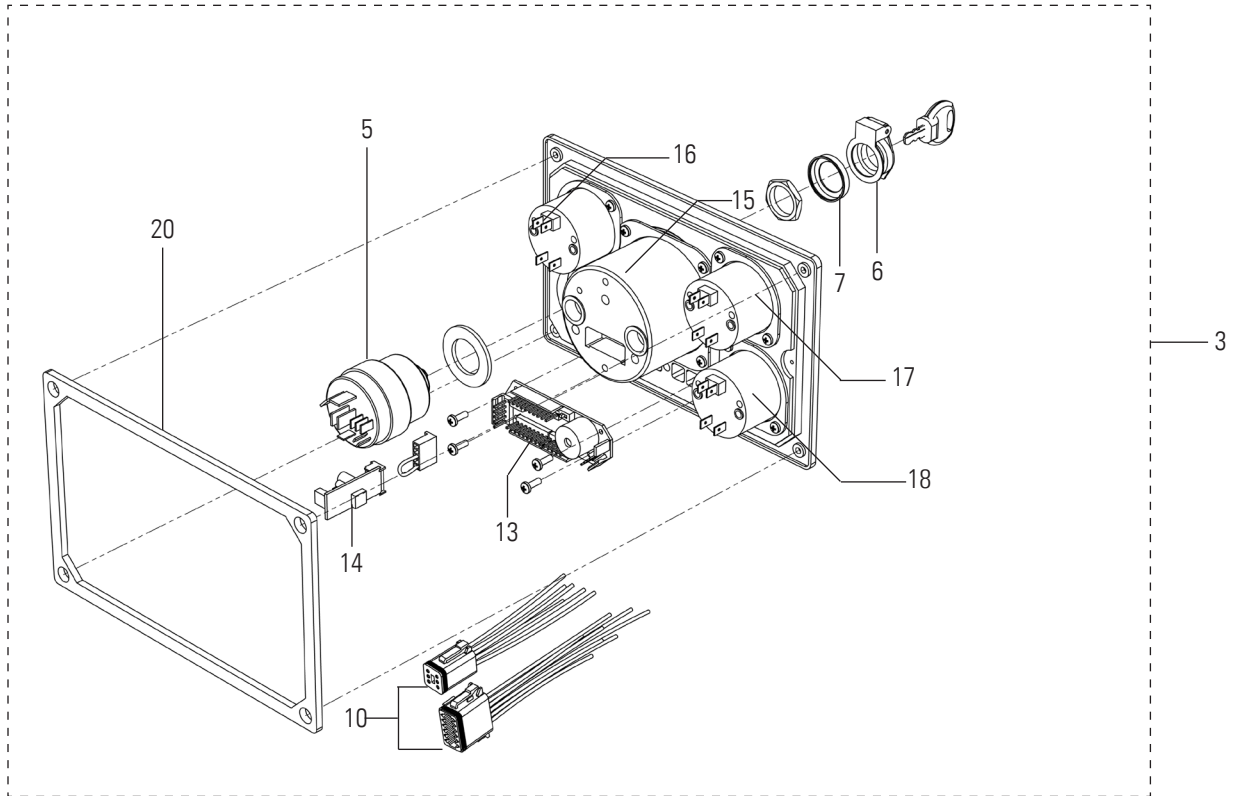
Pos.	Qty	Part	Description	Comment
1	1	AB.010.20000	ALFA 10E ENGINE PANEL COMPLETE	
2	1	AB.020.20000	ALFA 20E ENGINE PANEL COMPLETE	
3	1	AB.030.20000	ALFA 30E ENGINE PANEL COMPLETE	
4	1	AB.040.20000	ALFA 40E ENGINE PANEL COMPLETE	
5	1	AB.010.90001	IGNITION SWITCH COMPLETE	
6	1	AB.010.90002	DUSTCOVER	
7	1	AB.010.90003	CAP	
8	1	AB.010.00002	WIRING LOOM ALFA 10E	
9	1	AB.020.00002	WIRING LOOM ALFA 20E	
10	1	AB.030.00002	WIRING LOOM ALFA 30E	
11	1	AB.040.00002	WIRING LOOM ALFA 40E	NOT SHOWN
12	1	AB.010.00003	PCB ALFA 10E	
13	1	AB.020.00003	PCB ALFA 20E/ALFA 30E/ALFA 40E	
14	1	AB.010.00004	DIMMER PCB	
15	1	DB.010.20001	TACHOMETER, BLACK	
		DB.010.21001	TACHOMETER, WHITE	
16	1	DB.010.20004	VOLTMETER, BLACK	
		DB.010.21004	VOLTMETER, WHITE	
17	1	DB.010.20003	TEMPERATURE GAUGE, BLACK	
		DB.010.21003	TEMPERATURE GAUGE, WHITE	
18	1	DB.010.20002	OIL PRESSURE GAUGE, BLACK	
		DB.010.21002	OIL PRESSURE GAUGE, WHITE	
19	1	AB.010.00004	GASKET ALFA 10E	
20	1	AB.020.00004	GASKET ALFA 20E	
21	1	AB.030.00004	GASKET ALFA 30E	
22	1	AB.040.00004	GASKET ALFA 40E	
23	1	AA.300.90149	MOUNTING SET ALFA 10/20/30	NOT SHOWN
24	1	AA.300.90150	MOUNTING SET ALFA 40	
25	1	AA.300.90151	FRONT STICKER ALFA 10	NOT SHOWN
		AA.300.90152	FRONT STICKER ALFA 20	NOT SHOWN
		AA.300.90153	FRONT STICKER ALFA 30	NOT SHOWN
		AA.300.90154	FRONT STICKER ALFA 40	NOT SHOWN
26	1	AA.300.90155	ALUMINIUM FRONT ALFA 40	

MARINISATION PARTS

MITSUBISHI PARTS

ELECTRONICS

3.4 INSTRUMENT PANEL

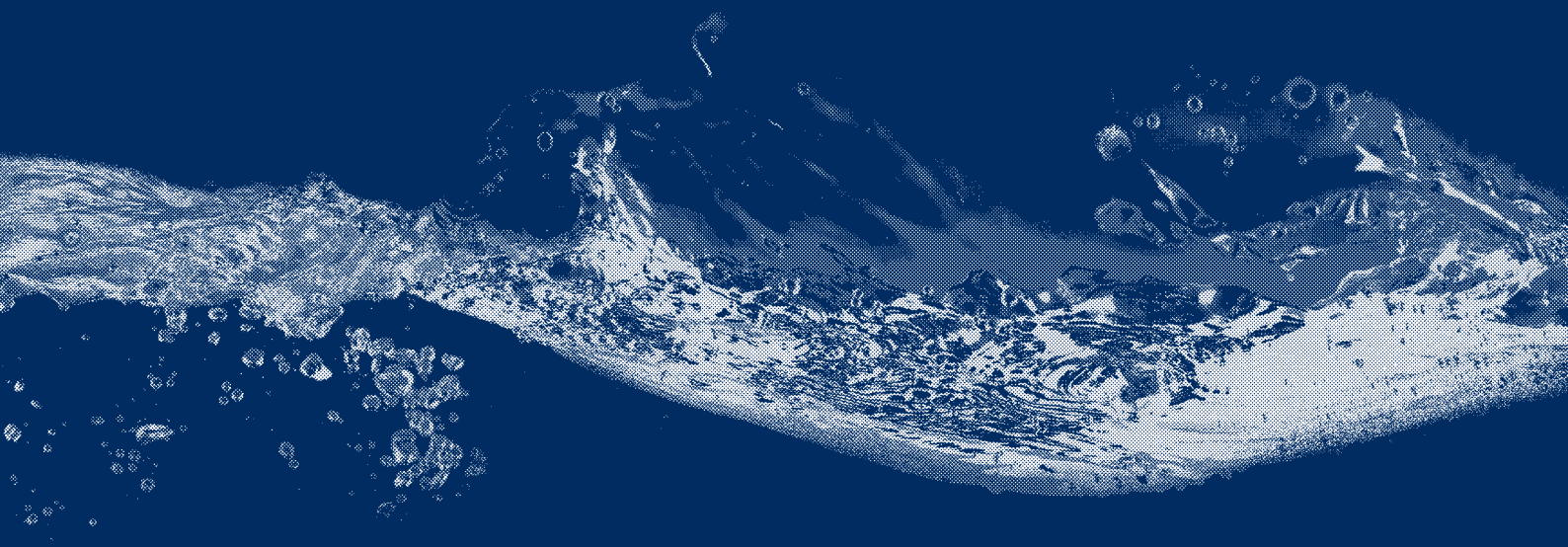




ZD-010-014.2.1.01.11

info@craftsmanmarine.com
www.craftsmanmarine.com

Printed in the Netherlands



CRAFTED WITH CRAFTSMAN MARINE